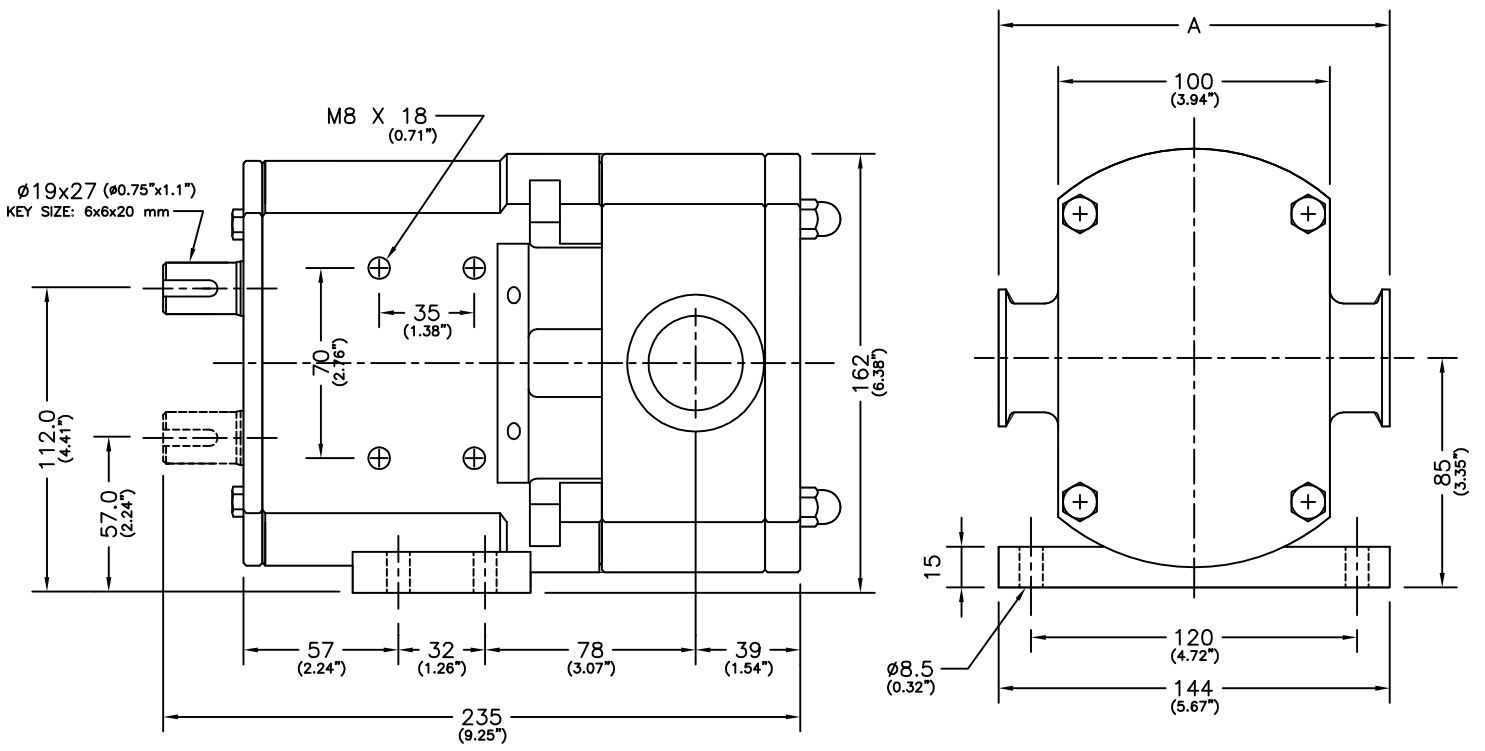
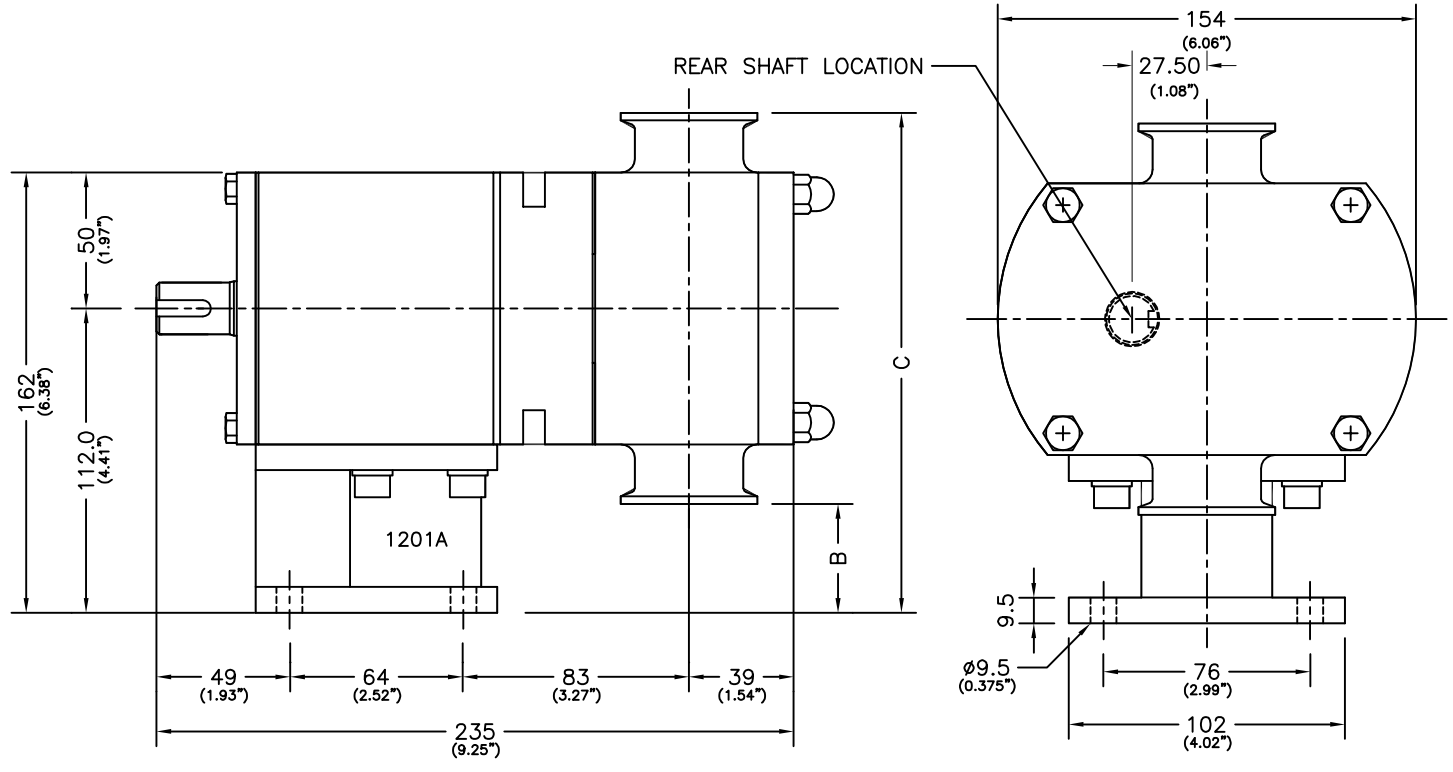


REVISIONS		DATE	BY
SYMBOL	DESCRIPTION		



HORIZONTAL THROUGH-PUT



VERTICAL THROUGH-PUT

PORT TYPE	PORT SIZE	A		B		C		<small>THIS DRAWING AND ALL IDEAS INCORPORATED IN ITS DESIGN IS THE EXCLUSIVE PROPERTY OF FLOWTECH, INC. ITS ACCEPTANCE CONSTITUTES AN AGREEMENT THAT IT SHALL BE TREATED AS A CONFIDENTIAL DOCUMENT USED FOR NO OTHER PURPOSE THAN TO AID IN ITS CONSTRUCTION, THAT IT IS TO BE RETURNED UPON REQUEST, AND THAT IT IS NOT TO BE DISCLOSED OR COPIED EXCEPT AS AUTHORIZED IN WRITING BY FLOWTECH, INC.</small>																		
		mm	In.	mm	In.	mm	In.		DWG. TITLE	DWG. NO.	SHEET															
SANITARY TRICLAMP	1.5"	144	5.67	40	1.57	184	7.24	<table border="1"> <tr> <td>DRAWN</td> <td>BY</td> <td>DATE</td> </tr> <tr> <td>CHECKED</td> <td></td> <td></td> </tr> <tr> <td>APP'D</td> <td></td> <td></td> </tr> <tr> <td>SCALE</td> <td></td> <td></td> </tr> <tr> <td colspan="3">ALL DIMENSIONS IN MM</td> </tr> </table>	DRAWN	BY	DATE	CHECKED			APP'D			SCALE			ALL DIMENSIONS IN MM			GENERAL DIMENSIONS		
DRAWN	BY	DATE																								
CHECKED																										
APP'D																										
SCALE																										
ALL DIMENSIONS IN MM																										
DIN 11851	DN 40	140	5.91	37	1.46	187	7.36	SIZE	350	DWG. NO.	D350-52															
IDF	1.5"	140	5.91	37	1.46	187	7.36	RELEASE DATE		SHEET	1 OF 1															
SMS 681	NW 38	140	5.91	37	1.46	187	7.36																			
RJT	1.5"	140	5.91	37	1.46	187	7.36																			