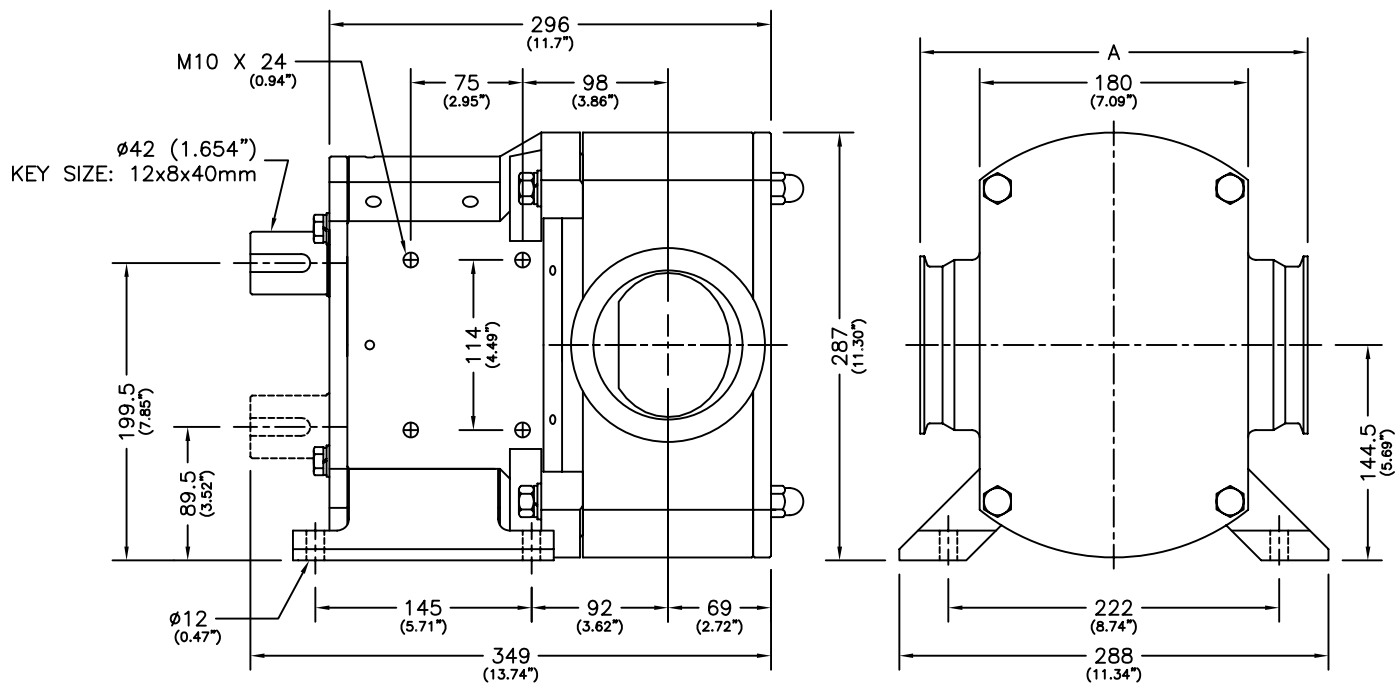
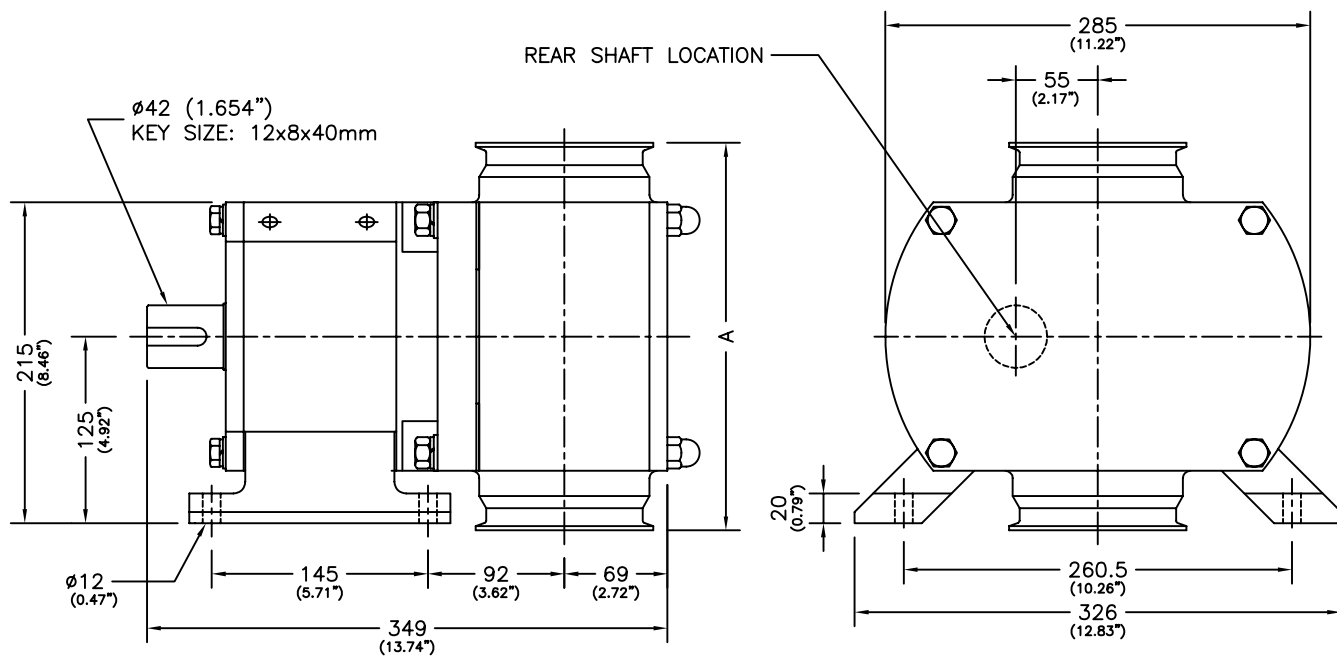


REVISIONS			
REVISION	DESCRIPTION	DATE	BY



HORIZONTAL THROUGH-PUT



VERTICAL THROUGH-PUT

PORT TYPE	PORT SIZE	A		<small>THIS DRAWING AND ALL IDEAS INCORPORATED IN ITS DESIGN IS THE EXCLUSIVE PROPERTY OF FLOWTECH, INC. ITS ACCEPTANCE CONSTITUTES AN AGREEMENT THAT IT SHALL BE TREATED AS A CONFIDENTIAL DOCUMENT USED FOR NO OTHER PURPOSE THAN TO GO IN ITS CONSTRUCTION, THAT IT IS TO BE RETURNED UPON REQUEST, AND THAT IT IS NOT TO BE DISCLOSED OR COPIED EXCEPT AS AUTHORIZED IN WRITING BY FLOWTECH, INC.</small>	UNIBLOC®-PUMP, INC. <small>FLOWTECH DIV. USA</small>	
		mm	in.		DWG. TITLE	DWG. NO.
SANITARY TRICLAMP	4"	260	10.2	BY	DATE	GENERAL DIMENSIONS
DIN 11851	DN 100	260	10.2	CHECKED		
ACME	4"	260	10.2	APP'D		SIZE
				SCALE		576
ALL DIMENSIONS IN MM				RELEASE DATE		D576
						SHEET 1 OF 1