

Sanitary Strainers

Y & L Strainers



UNIBLOC®-PUMP

Better Strainer...Better Results

Easy to use and easy to clean, Unibloc strainers combine sanitary design with functionality. Composed of high-polished 316 stainless steel, our strainers are designed to meet the most demanding hygienic applications.

Versatility through Design

All of our strainers include such features as:

- Inline cleanability
- Bi-directional flow
- Durable wedge wire inserts
- Wide range of size options, including high-capacity models



Y & L Strainers



The **Y-Strainer** design is an in-line system, allowing the operator to clean the strainer without removing it from the piping. Features such as bi-directional flow and 360° mounting enable endless versatility.



The **L-Strainer** design features the same cleanability as the Y-Strainer but in a 90° configuration.

Inserts

Unibloc's wedge wire and perforated inserts are simply the strongest, most durable inserts. They allow for bi-directional flow, eliminating the risk of collapsed mesh screens.

Size and Capacity

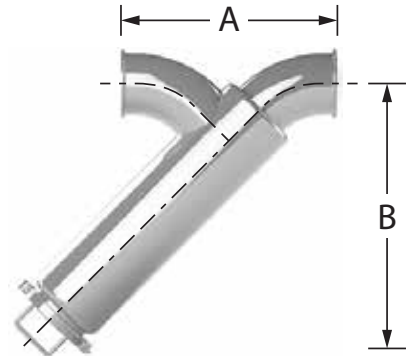
With sizes ranging from 0.75" to 6.0," Unibloc carries both standard and high-capacity models to meet the most challenging applications.



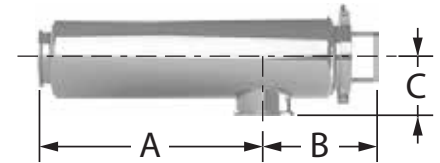
Sizes & Availability

Y- Strainer Dimensions inches (mm)			Screen Area sq in (sq cm)	Available Models	
Size	A	B		#54Y w/o sightglass	#55Y w/ sightglass
0.75"	4.8 (121)	5.4 (138)	21 (137)	✓	
1.0"	4.6 (118)	5.4 (136)	21 (137)	✓	
1.5"	5.8 (148)	7.4 (189)	32 (203)	✓	✓
2.0"	6.8 (173)	7.8 (199)	45 (291)	✓	✓
2.0" HC*	9.5 (242)	12.2 (309)	149 (960)	✓	
2.5"	8.3 (211)	8.0 (204)	59 (380)	✓	✓
3.0"	9.5 (242)	8.6 (219)	74 (480)	✓	✓
3.0" HC*	9.5 (242)	13.1 (332)	149 (960)	✓	✓
4.0"	15.0 (380)	12.9 (328)	149 (960)	✓	✓
4.0" HC*	15.0 (380)	22.8 (580)	301 (1942)	✓	✓
6.0"	20.9 (530)	25.9 (657)	561 (3618)	✓	✓

*High Capacity



L- Strainer Dimensions inches (mm)				Screen Area sq in (sq cm)	Available Models	
Size	A	B	C		#54L w/o sightglass	#55L w/ sightglass
1.5"- 4.0"	8.3 (210)	7.9 (200)	3.7 (95)	149 (960)	✓	✓
	20.7 (525)	8.9 (225)	4.2 (107)	301 (1942)	✓	✓
2.5"- 6.0"	32.5 (825)	8.3 (212)	5.2 (133)	721 (4652)	✓	✓



Options

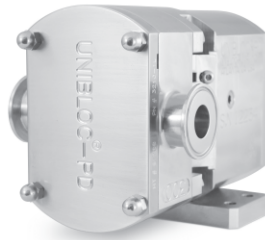
- Custom drain ports
- Dual sight glass: tempered glass or acrylic options
- Port sizes from 0.75" to 6.0"
- Custom connections
- Hastelloy C
- Material documentation



Insert Screens		
Mesh Size*	Inches	Micron Equiv.
4	0.1870	5160
8	0.0937	2460
16	0.0469	1180
30	0.0232	600
40	0.0165	425
50	0.0117	300
60	0.0098	250
80	0.0070	180
100	0.0059	150
150	0.0041	100
200	0.0029	75

*Custom sizes available upon request





Pumps



Sight Glasses



Valves

UNIBLOC[®]-PUMP

Unibloc-Pump, Inc.

1701 Spinks Drive SE • Marietta, Georgia 30067 • USA
Tel 770-218-8900 Fax 770-218-8442 E-Mail info@uniblocpump.com
www.uniblocpump.com

Unibloc-Pump AB

Lantvärnsgatan 4 • 652 21 Karlstad • Sweden
Tel +46-54-219000 Fax +46-54-212402 E-Mail info@uniblocpump.se
www.uniblocpump.se