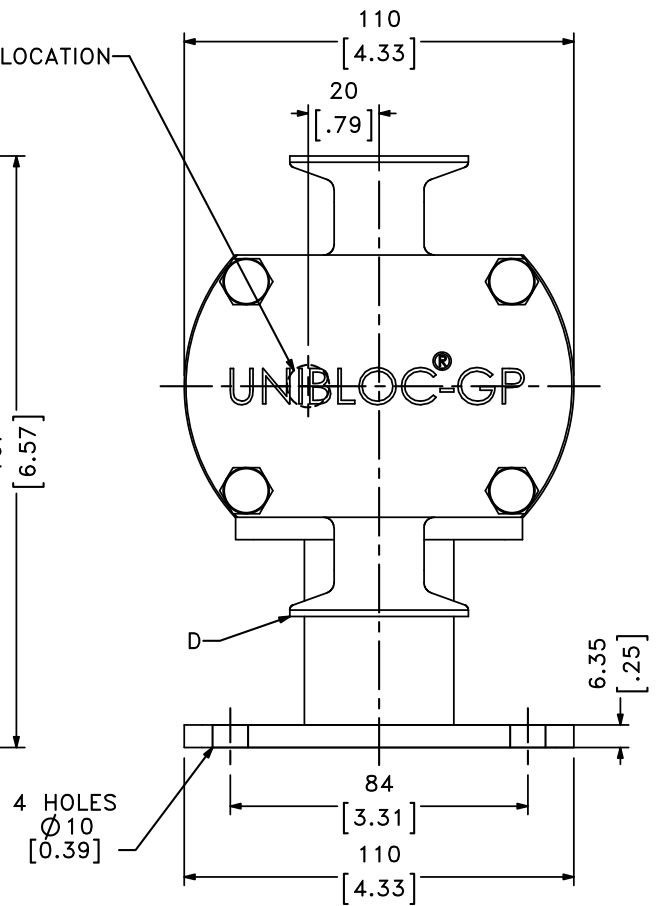
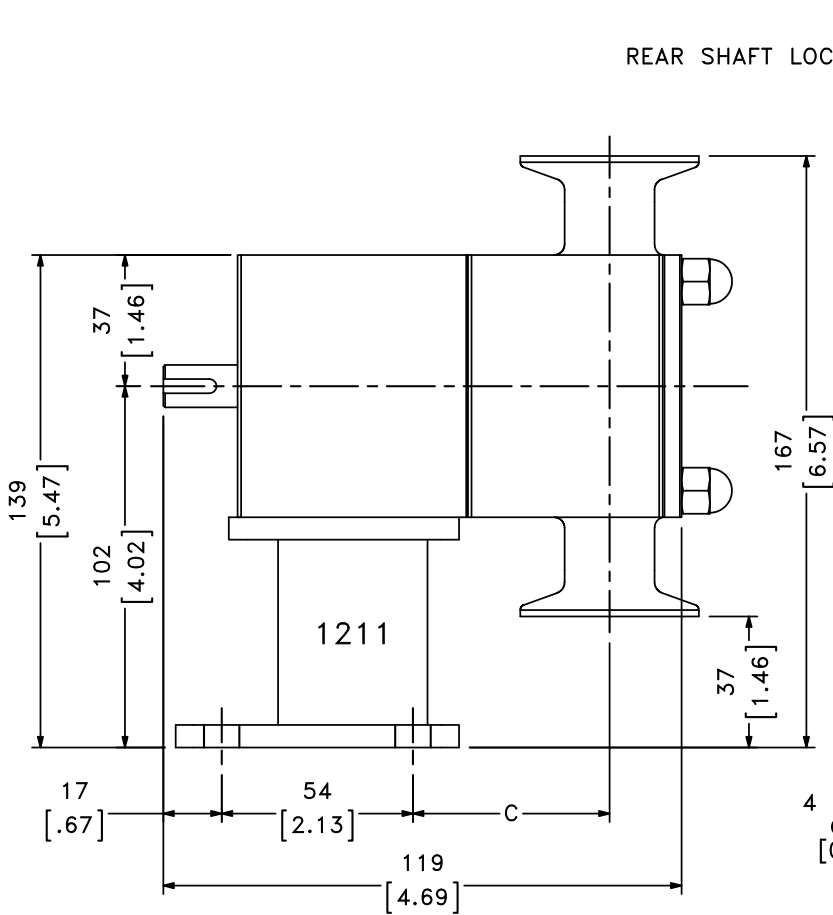


HORIZONTAL THROUGH-PUT



VERTICAL THROUGH-PUT

	GP275/22	GP275/38
A	57 [2.24]	54 [2.13]
B	21 [0.83]	26 [1.02]
C	56 [2.20]	51 [2.01]
D	1.0 TRI-CLAMP	1.5 TRI-CLAMP

THIS DRAWING AND ALL IDEAS INCORPORATED IN ITS DESIGN IS THE EXCLUSIVE PROPERTY OF FLOWTECH, INC. ITS ACCEPTANCE CONSTITUTES AN AGREEMENT THAT IT SHALL BE TREATED AS A CONFIDENTIAL DOCUMENT USED FOR NO OTHER PURPOSE THAN TO AID IN ITS CONSTRUCTION, THAT IT IS TO BE RETURNED UPON REQUEST, AND THAT IT IS NOT TO BE DISCLOSED OR COPIED EXCEPT AS AUTHORIZED IN WRITING BY FLOWTECH, INC.

DRAWN	BY	DATE
CHECKED	KL	6/26/12
APP'D		
SCALE		

DWG. TITLE
GENERAL DIMENSIONS

SIZE
GP275

DWG. NO.
DGP275

RELEASE DATE

SHEET 1 OF 1