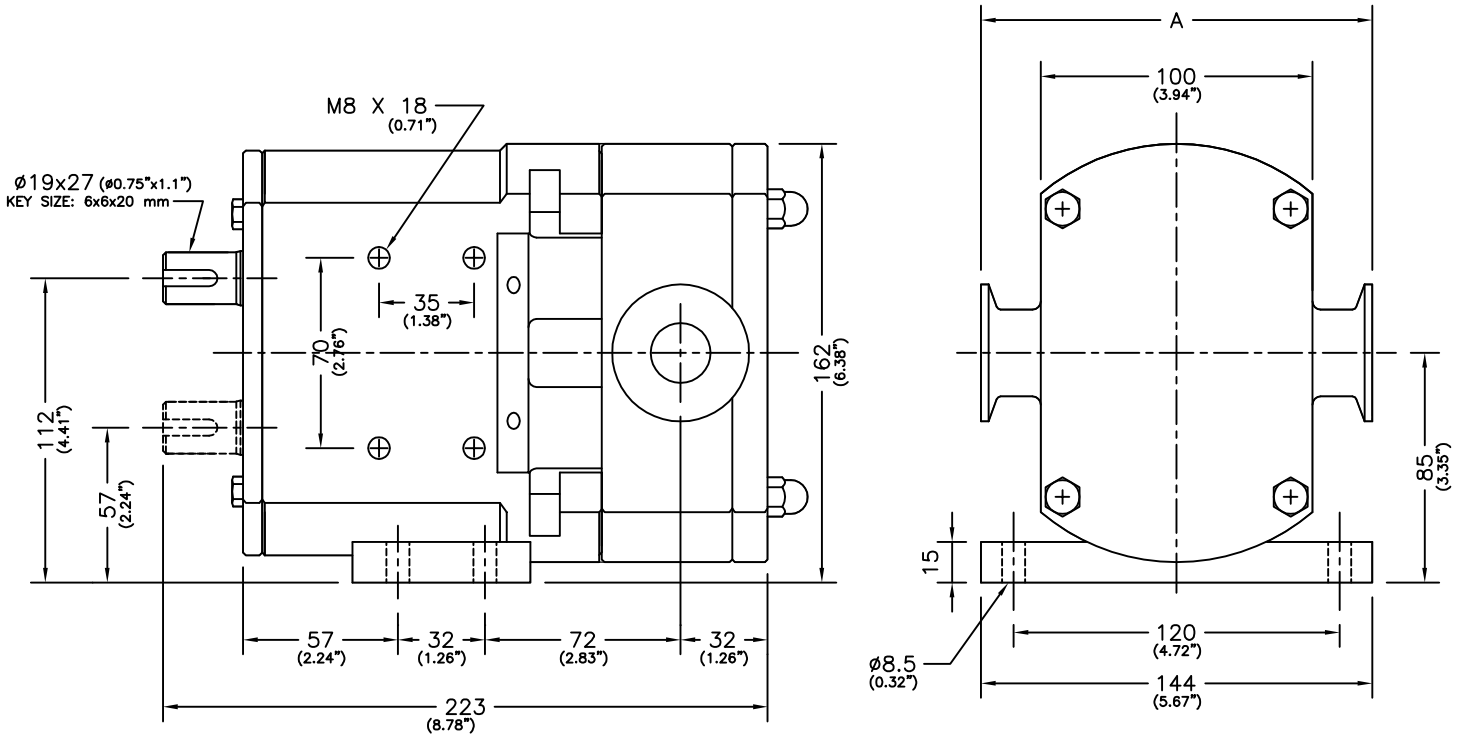
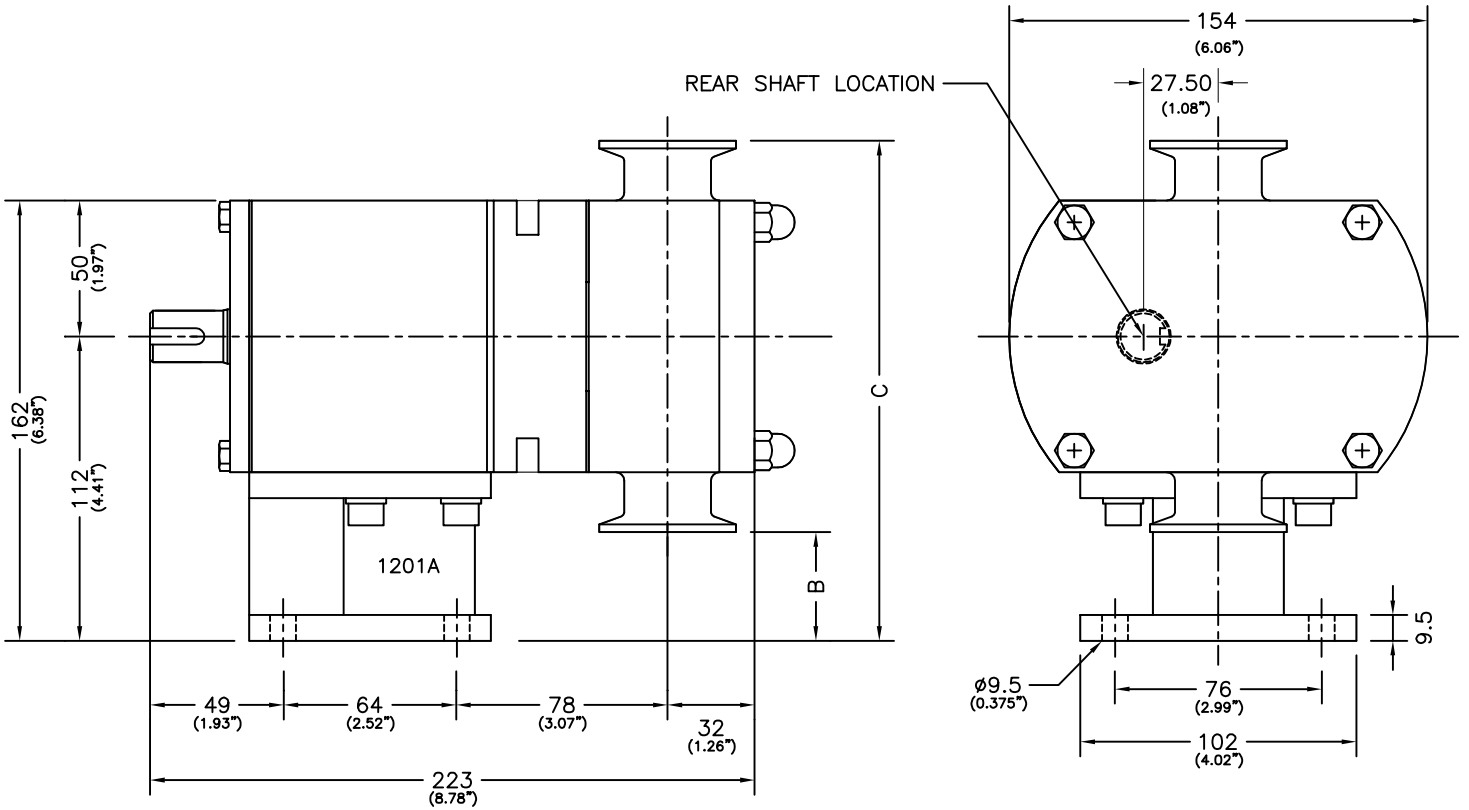


REVISIONS		DATE	BY
REVISION	DESCRIPTION		



HORIZONTAL THROUGH-PUT



VERTICAL THROUGH-PUT

PORT TYPE	PORT SIZE	A		B		C		<small>THIS DRAWING AND ALL IDEAS INCORPORATED IN ITS DESIGN IS THE EXCLUSIVE PROPERTY OF FLOWTECH, INC. ITS ACCEPTANCE CONSTITUTES AN AGREEMENT THAT IT SHALL BE TREATED AS A CONFIDENTIAL DOCUMENT USED FOR NO OTHER PURPOSE THAN TO AID IN ITS CONSTRUCTION, THAT IT IS TO BE RETURNED UPON REQUEST, AND THAT IT IS NOT TO BE DISCLOSED OR COPIED EXCEPT AS AUTHORIZED IN WRITING BY FLOWTECH, INC.</small>	 FLOWTECH DIV. USA			
		mm	In.	mm	In.	mm	In.		DWG. TITLE			
SANITARY TRICLAMP	1"	144	5.67	40	1.57	184	7.24		GENERAL DIMENSIONS			
DIN 11851	DN 25	140	5.91	37	1.46	187	7.36	DRAWN	BY	DATE	SIZE	DWG. NO.
IDF	1"	140	5.91	37	1.46	187	7.36	CHECKED				
SMS 681	NW 25	140	5.91	37	1.46	187	7.36	APP'D			SCALE	SHEET 1 OF 1
RJT	1"	140	5.91	37	1.46	187	7.36					

ALL DIMENSIONS IN MM