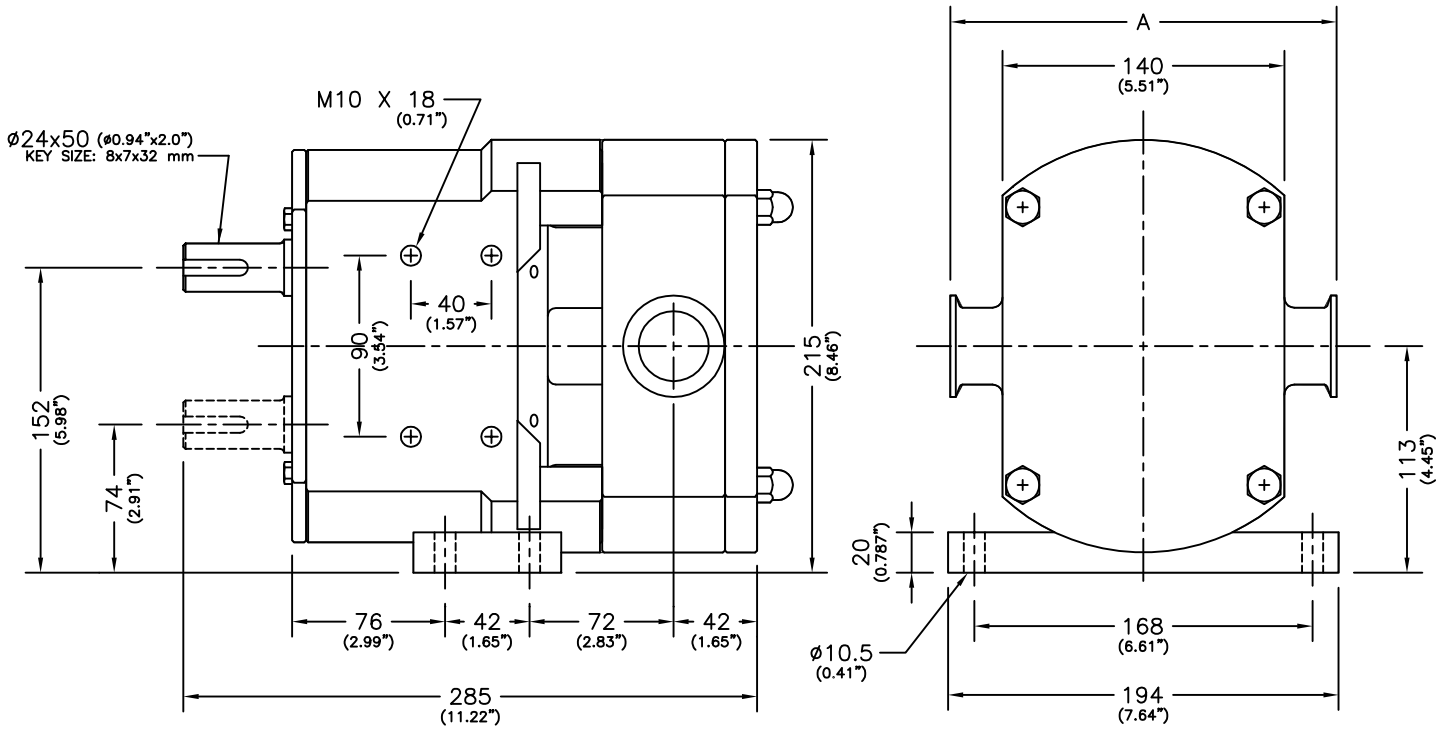
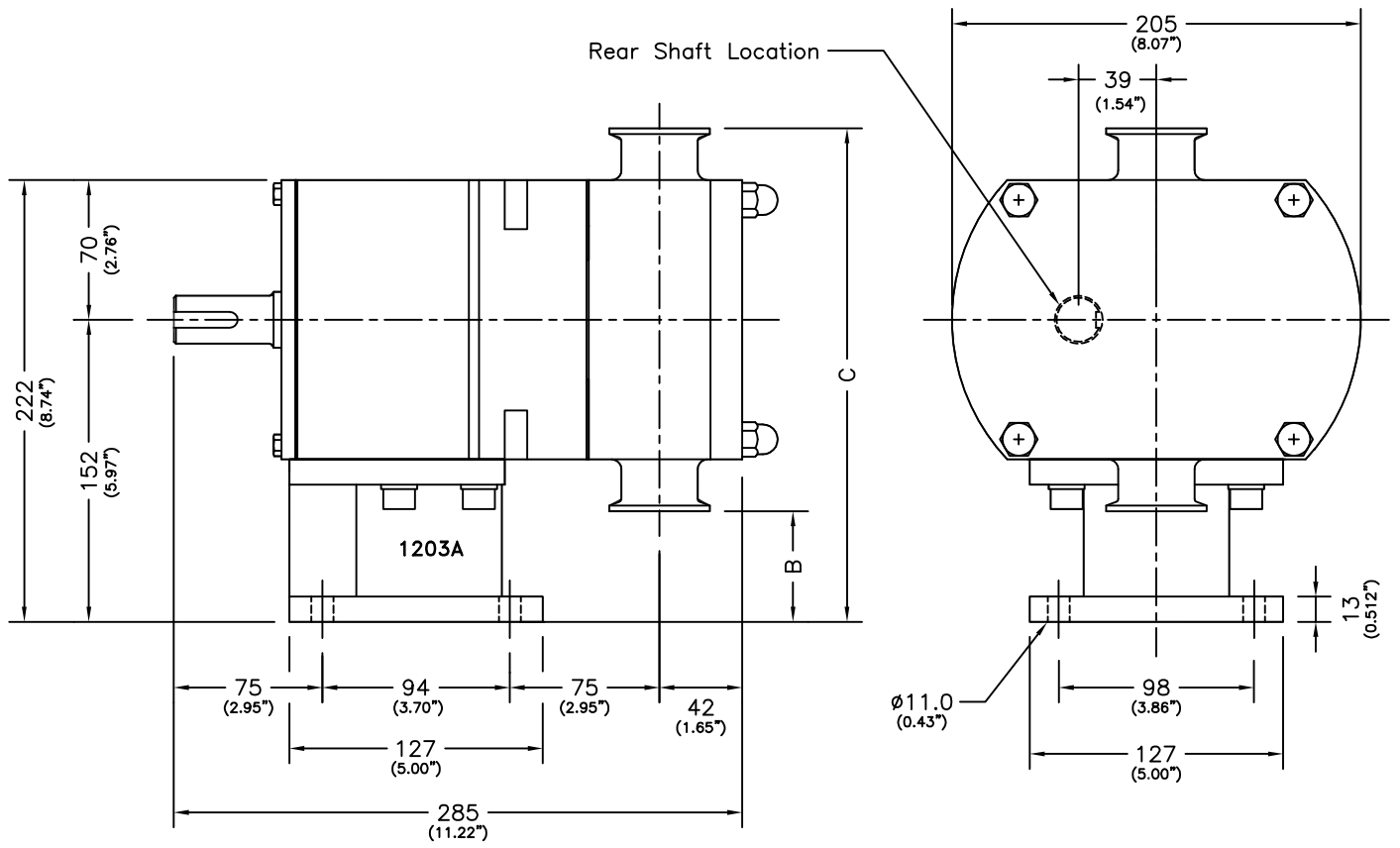


REVISIONS		DATE	BY
SYMBOL	DESCRIPTION		



**HORIZONTAL THROUGH-PUT**



**VERTICAL THROUGH-PUT**

PORT TYPE	PORT SIZE	A		B		C	
		mm	in.	mm	in.	mm	in.
SANITARY TRICLAMP	1.5"	192	7.56	56	2.20	248	9.76
DIN 11851	DN 40	192	7.56	56	2.20	248	9.76
IDF	1.5"	192	7.56	56	2.20	248	9.76
SMS 681	NW 38	192	7.56	56	2.20	248	9.76
RJT	1.5"	192	7.56	56	2.20	248	9.76

THIS DRAWING AND ALL IDEAS INCORPORATED IN ITS DESIGN IS THE EXCLUSIVE PROPERTY OF FLOWTECH, INC. ITS ACCEPTANCE CONSTITUTES AN AGREEMENT THAT IT SHALL BE TREATED AS A CONFIDENTIAL DOCUMENT USED FOR NO OTHER PURPOSE THAN TO GO IN ITS CONSTRUCTION, THAT IT IS TO BE RETURNED UPON REQUEST, AND THAT IT IS NOT TO BE DISCLOSED OR COPIED EXCEPT AS AUTHORIZED IN WRITING BY FLOWTECH, INC.

DRAWN	BY	DATE
CHECKED		
APP'D		
SCALE		

ALL DIMENSIONS IN MM

**UNIBLOC<sup>®</sup>-PUMP, INC.**  
FLOWTECH Div. USA

DWG. TITLE  
**GENERAL DIMENSIONS**

SIZE  
**400**

DWG. NO.  
**D400-02**

RELEASE DATE

SHEET 1 OF 1