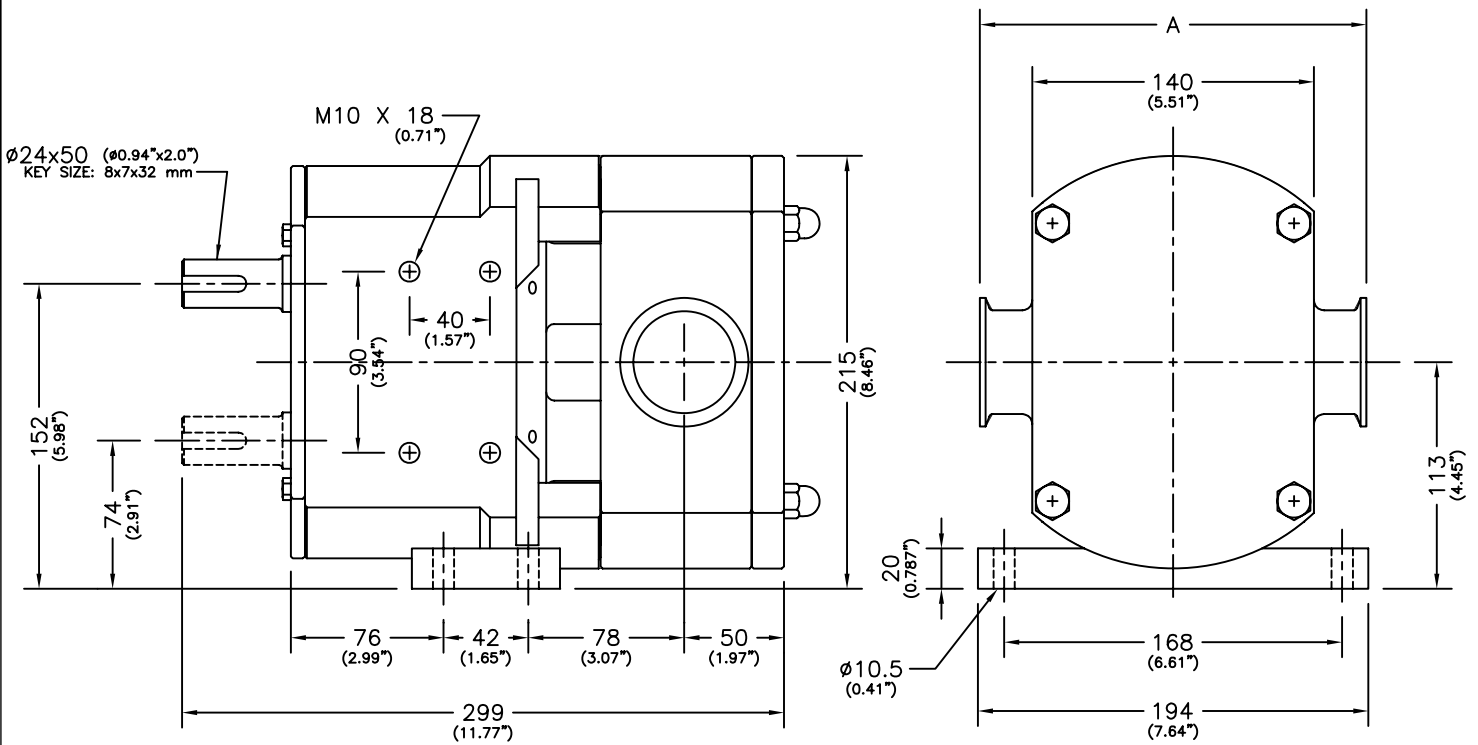
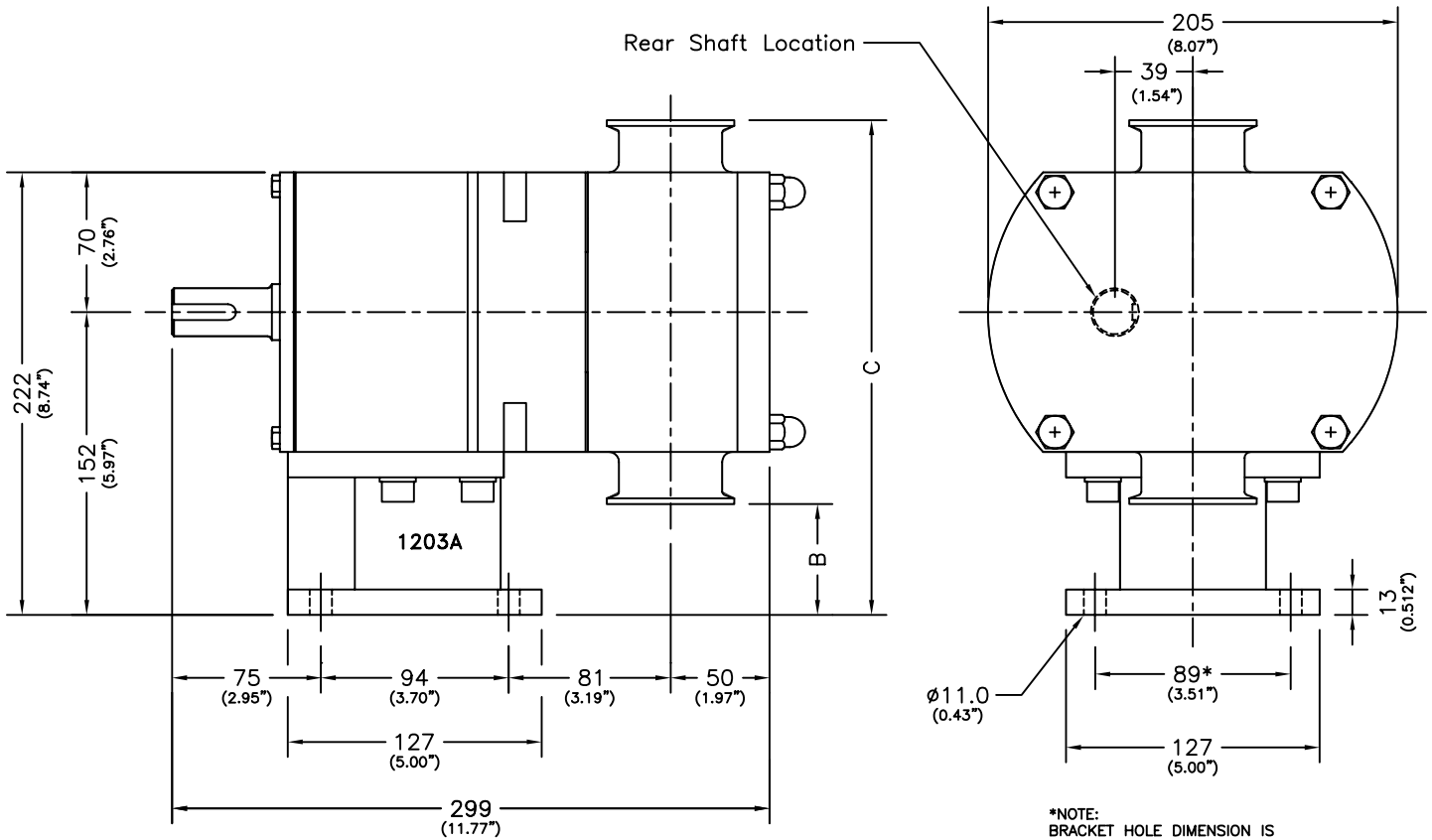


REVISIONS			
SYMBOL	DESCRIPTION	DATE	BY
1	ADDED REAR SHAFT LOCATION	NOV. 1, 2005	BAP



HORIZONTAL THROUGH-PUT



VERTICAL THROUGH-PUT

*NOTE:
BRACKET HOLE DIMENSION IS
TEMPORARY FOR CURRENT STOCK
BRACKETS

PORT TYPE	PORT SIZE	A		B		C		<small>THIS DRAWING AND ALL IDEAS INCORPORATED IN ITS DESIGN IS THE EXCLUSIVE PROPERTY OF FLOWTECH, INC. ITS ACCEPTANCE CONSTITUTES AN AGREEMENT THAT IT SHALL BE TREATED AS A CONFIDENTIAL DOCUMENT USED FOR NO OTHER PURPOSE THAN TO BID IN ITS CONSTRUCTION, THAT IT IS TO BE RETURNED UPON REQUEST, AND THAT IT IS NOT TO BE REPRODUCED OR COPIED EXCEPT AS AUTHORIZED IN WRITING BY FLOWTECH, INC.</small>	FLOWTECH DIV. UNIBLOC-PUMP, INC. USA													
		mm	in.	mm	in.	mm	in.		DWG. TITLE													
SANITARY TRICLAMP	2"	192	7.56	56	2.20	248	9.76	<table border="1"> <tr> <td>DRAWN</td> <td>BY</td> <td>DATE</td> </tr> <tr> <td>CHECKED</td> <td></td> <td></td> </tr> <tr> <td>APP'D</td> <td></td> <td></td> </tr> <tr> <td>SCALE</td> <td></td> <td></td> </tr> </table>	DRAWN	BY	DATE	CHECKED			APP'D			SCALE			GENERAL DIMENSIONS	
DRAWN	BY	DATE																				
CHECKED																						
APP'D																						
SCALE																						
DIN 11851	DN 50	192	7.56	56	2.20	248	9.76	<table border="1"> <tr> <td>SIZE</td> <td>DWG. NO.</td> </tr> <tr> <td>450</td> <td>D450-52</td> </tr> </table>	SIZE	DWG. NO.	450	D450-52										
SIZE	DWG. NO.																					
450	D450-52																					
IDF	2"	192	7.56	56	2.20	248	9.76															
SMS 681	NW 51	192	7.56	56	2.20	248	9.76															
RJT	2"	192	7.56	56	2.20	248	9.76															
ALL DIMENSIONS IN MM								RELEASE DATE OCT. 14, 2008 SHEET 1 OF 1														