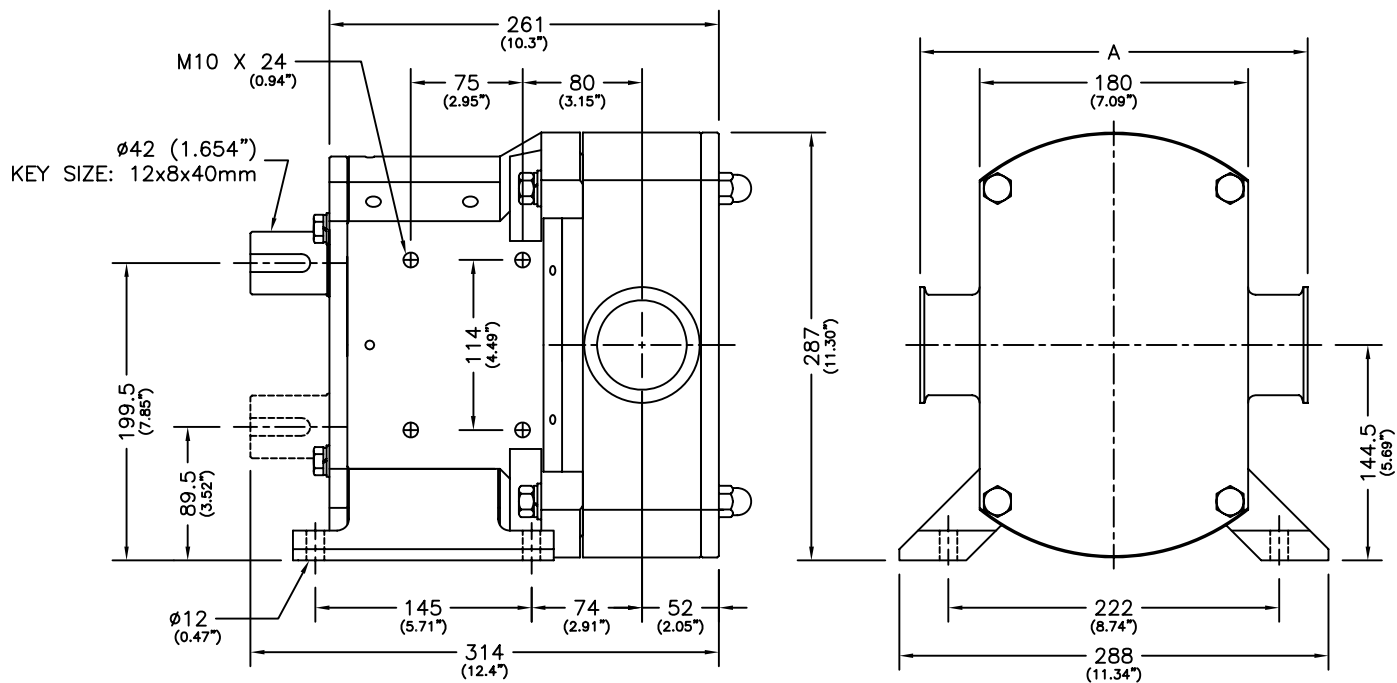
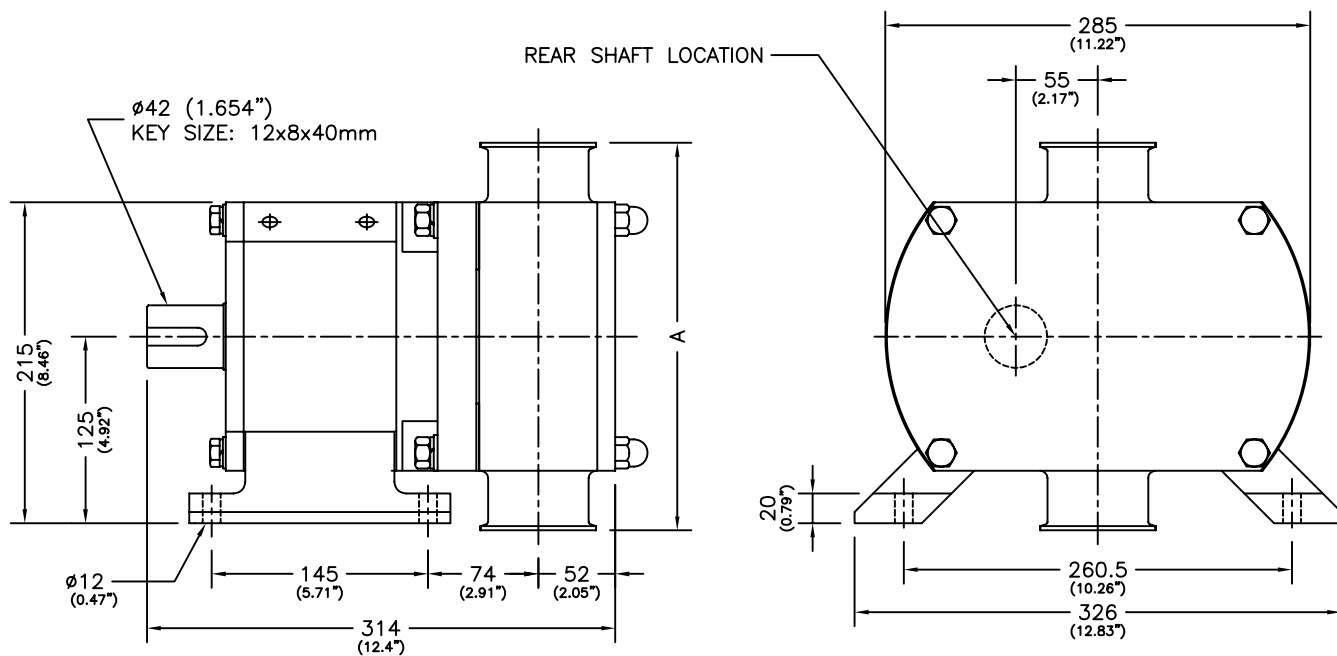


| REVISIONS | | | |
|-----------|-------------|------|----|
| REVISION | DESCRIPTION | DATE | BY |



HORIZONTAL THROUGH-PUT



VERTICAL THROUGH-PUT

| PORT TYPE | PORT SIZE | A | | <small>THIS DRAWING AND ALL IDEAS INCORPORATED IN ITS DESIGN IS THE EXCLUSIVE PROPERTY OF FLOWTECH, INC. ITS ACCEPTANCE CONSTITUTES AN AGREEMENT THAT IT SHALL BE TREATED AS A CONFIDENTIAL DOCUMENT USED FOR NO OTHER PURPOSE THAN TO GO IN ITS CONSTRUCTION, THAT IT IS TO BE RETURNED UPON REQUEST, AND THAT IT IS NOT TO BE DISCLOSED OR COPIED EXCEPT AS AUTHORIZED IN WRITING BY FLOWTECH, INC.</small> | UNIBLOC®-PUMP, INC. <small>FLOWTECH div. USA</small> | |
|----------------------|-----------|-----|------|---|--|---------------------------|
| | | mm | in. | | BY | DATE |
| SANITARY TRICLAMP | 2.5" | 260 | 10.2 | | | DWG. TITLE |
| DIN 11851 | DN 65 | 260 | 10.2 | | | GENERAL DIMENSIONS |
| ACME | 2.5" | 260 | 10.2 | | | SIZE |
| NPT | 2.5" | 270 | 10.2 | | | DWG. NO. |
| | | | | | | 501 |
| | | | | | | D501 |
| ALL DIMENSIONS IN MM | | | | RELEASE DATE | SHEET 1 OF 1 | |