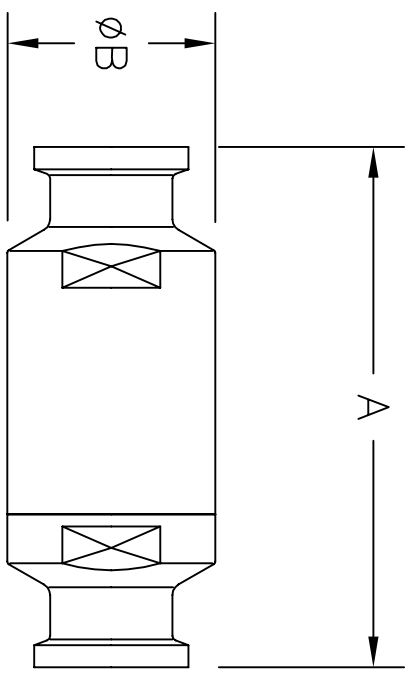
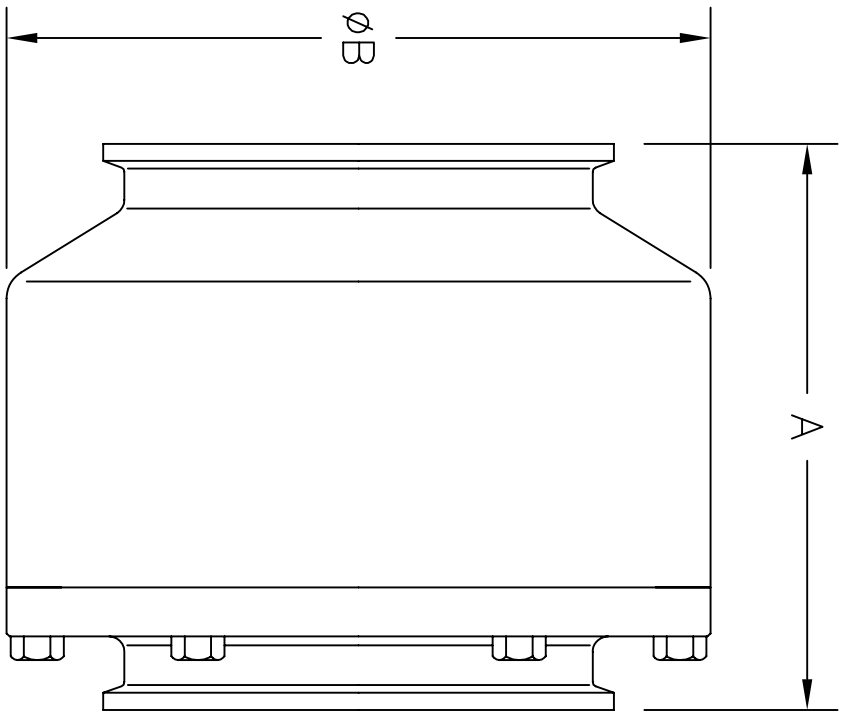


REVISIONS			
REV. NO.	DESCRIPTION	DATE	BY



0.5"-1.5"

SIZE	A		B	
	mm	in.	mm	in.
0.5"	85	3.3	34	1.3
0.75"	85	3.3	34	1.3
1.0"	80	3.2	52	2.1
1.5"	80	3.2	68	2.7
2.0"	80	3.2	85	3.4
2.5"	95	3.7	117	4.6
3.0"	100	3.9	124	4.9
4.0"	115	4.5	160	6.3
6.0"	185	7.3	230	9.1



2.0"-6.0"

UNLESS OTHERWISE NOTED:

DECIMALS	TOLERANCES	ANGULAR
0.0 ± 0.1	0.1°	0.1°
0.00 ± 0.05	0.00°	0.00°
0.000 ± 0.005		

MATERIAL

THIS DRAWING AND ALL IDEAS INCORPORATED IN ITS DESIGN ARE THE PROPERTY OF FLOWTECH DIV. OF UNIBLOC-PUMP, INC. ANY REPRODUCTION OR TRANSMISSION OF THIS DRAWING WITHOUT THE WRITTEN PERMISSION OF FLOWTECH DIV. IS STRICTLY PROHIBITED. UNIBLOC-PUMP, INC. ACCEPTS NO LIABILITY FOR ANY DAMAGE TO PROPERTY OR PERSONS ARISING FROM THE USE OF THIS DRAWING. THE USER SHALL BE RESPONSIBLE FOR OBTAINING ALL NECESSARY PERMITS AND APPROVALS FROM ALL AFFECTED AGENCIES AND AUTHORITIES. THE USER SHALL BE RESPONSIBLE FOR OBTAINING ALL NECESSARY PERMITS AND APPROVALS FROM ALL AFFECTED AGENCIES AND AUTHORITIES. THE USER SHALL BE RESPONSIBLE FOR OBTAINING ALL NECESSARY PERMITS AND APPROVALS FROM ALL AFFECTED AGENCIES AND AUTHORITIES.

**FLOWTECH**  
DIV.  
UNIBLOC-PUMP, INC. USA

FINISH (UNLESS NOTED ON DWG.)	BY	DATE	DWG. TITLE
	BAP	08/26/09	#34 CHECK VALVE
WEIGHT	CHECKED		UNIBLOC-PUMP, INC. USA
	APP'D		SIZE 0.5" - 6.0"
	SCALE 1.5:1		DWG. NO. 340988
	ALL DIMENSIONS IN MM		RELEASE DATE AUG. 26, 2009
			SHEET 1 OF 1