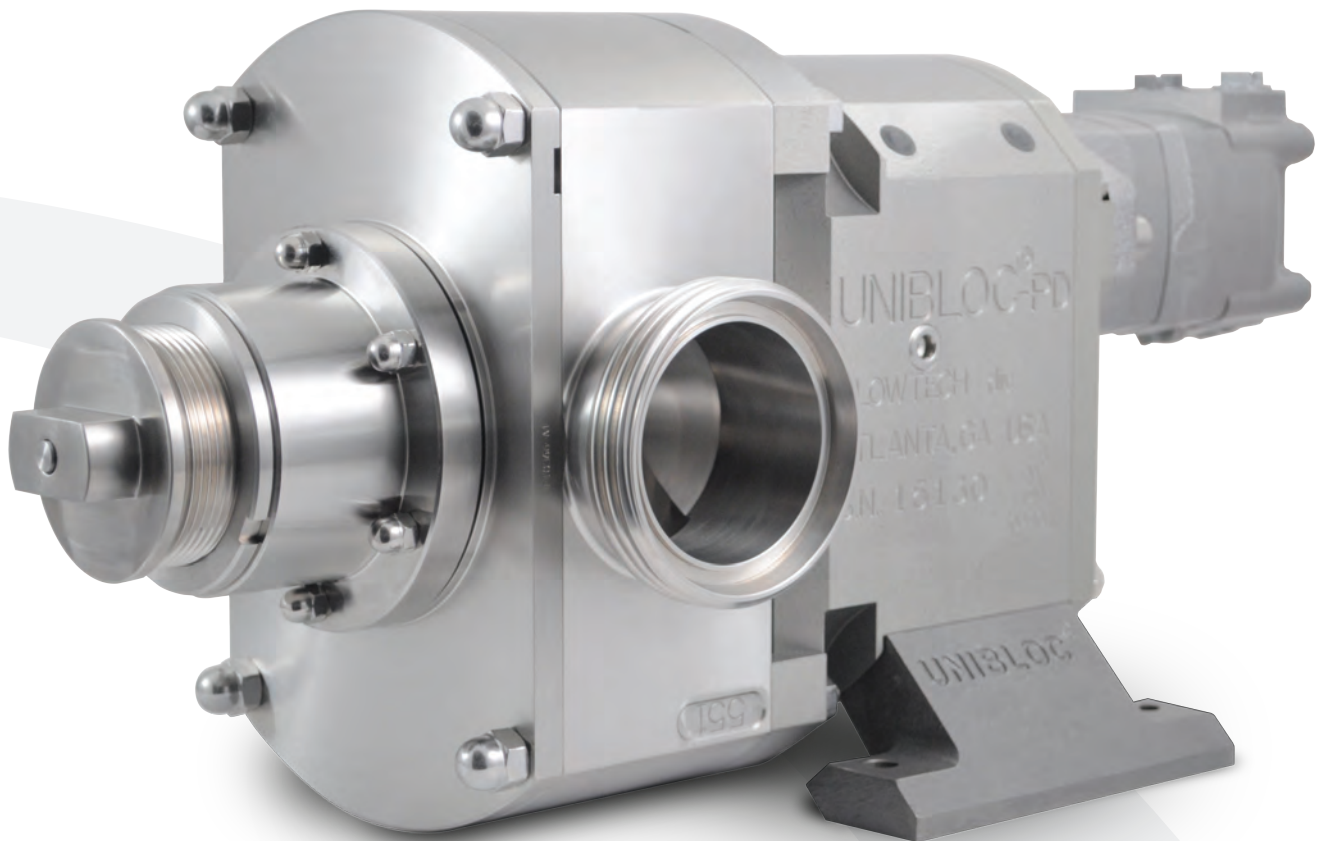


UNIBLOC[®]-PD

Food & Chemical Pumps
for the Tanker Industry



UNIBLOC[®]-PUMP

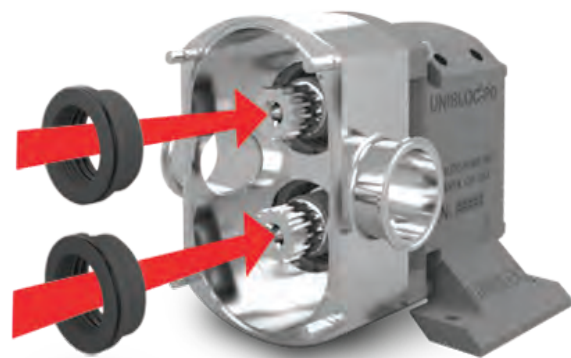
Reliability for the Long Haul

Designed with food, beverage, and chemical industry requirements in mind, the **Unibloc Road Tanker Pump** combines light weight design, rugged dependability, and long-term reliability. Standard options & features include:

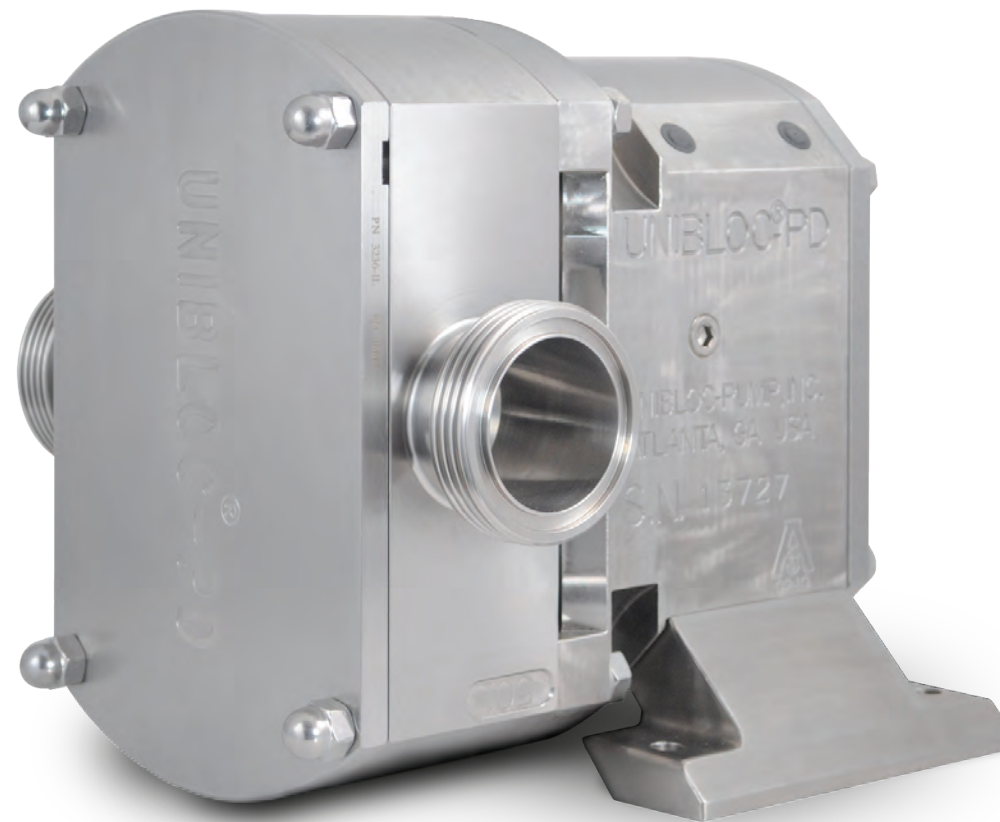
- Fully machined stainless steel pump head
- Compact design
- Versatile mounting
- High pressure capabilities
- Multiple rotors available
- Front loaded shaft seals
- Lightweight design
- Drop-in replacement design
- Hydraulic drive mount
- Relief valve options
- Heavy-duty roller bearings
- Oversized shafts for minimal deflection

Food & Beverage Pumps

- 3A sanitary design
- Dual coated, lightweight, aluminium bearing housing available
- Fully machined stainless bearing housing available
- Application specific shaft seals
- Multiple seal options available
- Replaceable shaft sleeves
- Multiple rotor materials available
- High pressure capabilities
- Jacketed pump heads

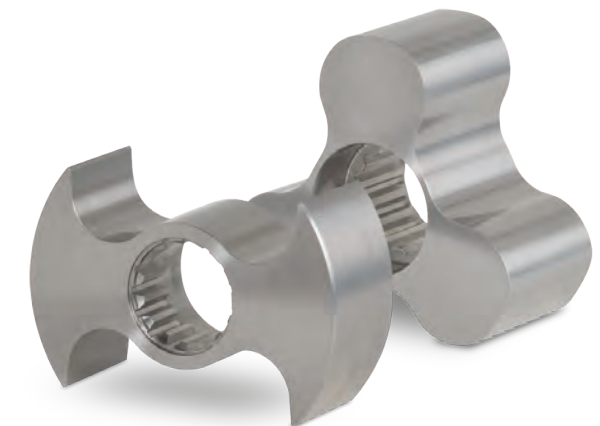


Front Loaded Shaft Seals: Unibloc Road Tanker Pumps offer front loaded seals for easy maintenance. Seal options include: the durable O-Lip™ Seal, O-Ring Seals and Single Mechanical Seals. Replaceable Shaft Sleeves are standard for low repair cost and easy maintenance.



Chemical Pumps

- ATEX certified design
- Fully machined stainless bearing housing available
- Application specific shaft seals
- Durable dual-coated gearbox
- Replacable shaft sleeves
- Front loaded mechanical seals available
- Inert, PTFE O-Lip™ seals available
- Multiple rotor materials available
- High speed, Tri-Lobe rotors available



Multiple Rotors Available: All rotors are made of 316L stainless steel. Two options are available: Bi-Lobe and Tri-Lobe designs. Rotors can be easily removed and installed for cleaning and maintenance.

Specifications

Food & Beverage Pumps

| Pump Size | 551 | 576, 3" | 576, 4" |
|-----------------------|---------------------------|-----------|-----------|
| Max Cap., GPM (LPM) | 228 (863) | 253 (958) | 253 (958) |
| Max Pres., PSIG (Bar) | 250 (17) | 200 (13) | 200 (13) |
| Max Speed (RPM) | 800 | 800 | 800 |
| Weight, lbs (kg) | 115 (52) | 126 (57) | 126 (57) |
| Connections | TRI-CLAMP, ACME, DIN, SMS | | |

Optional sizes available

Chemical Pumps

| Pump Size | 501CHEM | 551CHEM |
|-----------------------|----------------------------------|-----------|
| Max Cap., GPM (LPM) | 198 (750) | 252 (954) |
| Max Pres., PSIG (Bar) | 250 (17) | 250 (17) |
| Max Speed (RPM) | 900 | 900 |
| Weight, lbs (kg) | 104 (47) | 115 (52) |
| Connections | NPT, BSP, FLANGES, DIN, CAM LOCK | |

Optional sizes available

Dimensions

Food & Beverage Pumps

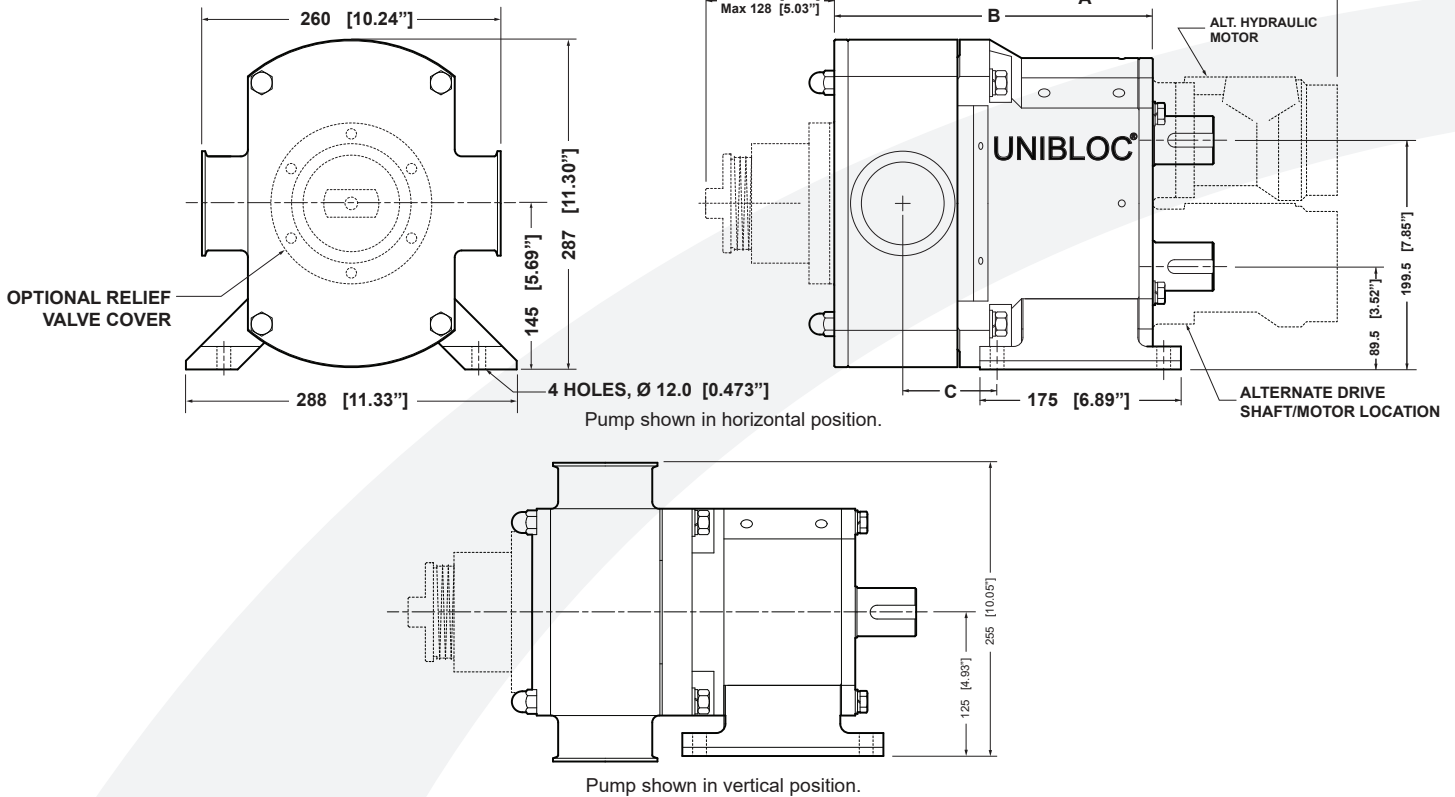
| Pump Size | 551 | 576 | 576 |
|------------|-------------|-------------|-------------|
| Port Size | 3.0" | 3.0" | 4.0" |
| A-PTO | 13.0" (330) | 13.7" (349) | 13.7" (349) |
| A-Charlynn | 19.1" (486) | 19.9" (505) | 19.9" (505) |
| A-Danfoss | 17.4" (441) | 18.1" (460) | 18.1" (460) |
| B | 10.9" (277) | 11.7" (296) | 11.7" (296) |
| C | 3.2" (82) | 3.6" (92) | 3.6" (92) |

Dimensions in (mm)

Chemical Pumps

| Pump Size | 501CHEM | 551CHEM |
|------------|-------------|-------------|
| Port Size | 2.5" | 3.0" |
| A-PTO | 12.4" (314) | 13.0" (330) |
| A-Charlynn | 18.5" (470) | 19.1" (486) |
| A-Danfoss | 16.7" (425) | 17.4" (441) |
| B | 10.3" (261) | 10.9" (277) |
| C | 2.9" (74) | 3.2" (82) |

Dimensions in (mm)



UNIBLOC®-PUMP

Unibloc-Pump, Inc.

1701 Spinks Drive SE • Marietta, Georgia 30067 • USA
 Tel 770-218-8900 Fax 770-218-8442 E-Mail info@uniblocpump.com
www.uniblocpump.com

Unibloc-Pump AB

Lantvärnsgatan 4 • 652 21 Karlstad • Sweden
 Tel +46-54-219000 Fax +46-54-212402 E-Mail info@uniblocpump.se
www.uniblocpump.se