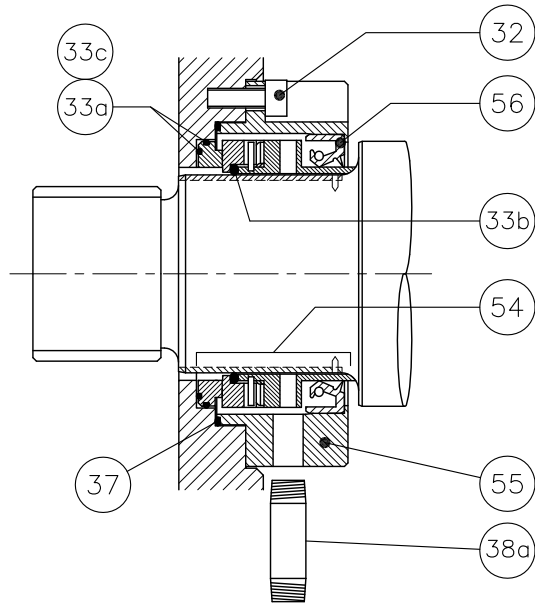
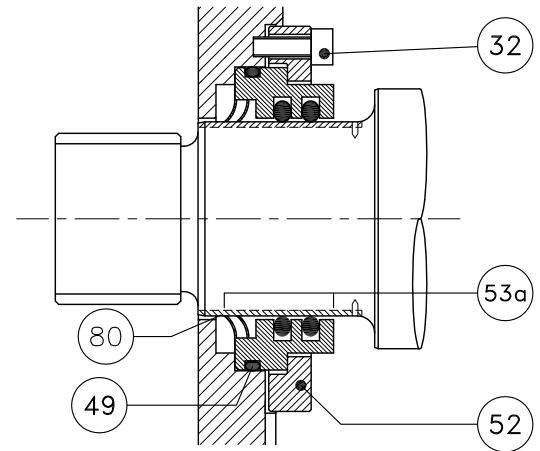


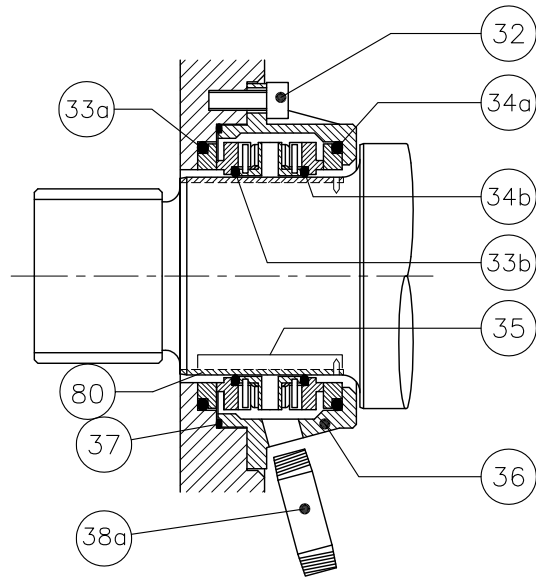
SINGLE MECHANICAL SEAL



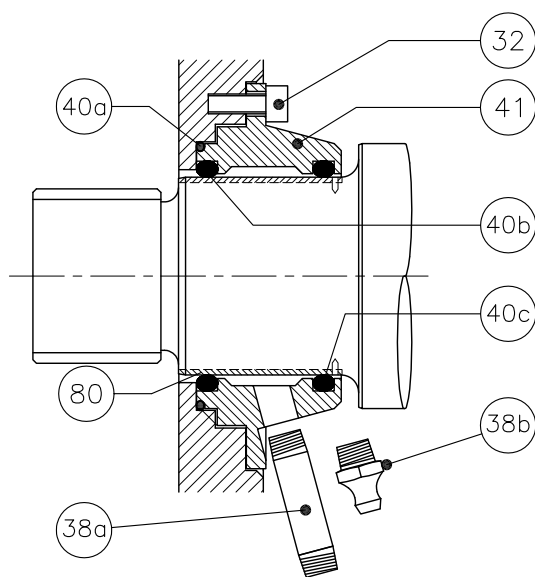
FLUSHED SINGLE MECHANICAL SEAL



DOUBLE O-LIP SEAL



DOUBLE MECHANICAL SEAL



DOUBLE O-RING SEAL

80	N/A	1	1	OPTIONAL SHAFT SLEEVE
57	1	1	1	DOUBLE O-RING SEAL O-RING SET (40a,40b,40c)
56	1	1	1	LIP SEAL
55	1	1	1	FLUSH HOUSING
54	1	1	1	FLUSHED SINGLE MECHANICAL SHAFT SEAL
53a	1	1	1	DOUBLE O-LIP SEAL CARTRIDGE
52	1	1	1	RETAINING RING
45	1	1	1	O-RING
41	1	1	1	FLUSH HOUSING
38b	2	2	2	FLUSH HOUSING NIPPLE
38a	2	2	2	FLUSH HOUSING PIPE TUBE
37	1	1	1	FLUSH HOUSING O-RING
36	1	1	1	FLUSH HOUSING
35	1	1	1	DOUBLE MECHANICAL SHAFT SEAL
34	1	1	1	DOUBLE MECH. SEAL O-RING SET (33a,33b,33c,34a,34b)
33	1	1	1	SINGLE MECH. SEAL O-RING SET (33a,33b,33c)
32	4	4	3	BOLT
31	1	1	1	RETAINER RING
30	1	1	1	SINGLE MECHANICAL SHAFT SEAL
NO.	UNIBLOC 300,350	UNIBLOC 400,450	UNIBLOC 500,550, 575	DESCRIPTION
	PCS. PER SEAL			

THIS DRAWING AND ALL IDEAS INCORPORATED IN ITS DESIGN IS THE EXCLUSIVE PROPERTY OF FLOWTECH, INC. ITS ACCEPTANCE CONSTITUTES AN AGREEMENT THAT IT SHALL BE TREATED AS A CONFIDENTIAL DOCUMENT USED FOR NO OTHER PURPOSE THAN TO AID IN ITS CONSTRUCTION. THAT IT IS TO BE RETURNED UPON REQUEST, AND THAT IT IS NOT TO BE DISCLOSED OR COPIED EXCEPT AS AUTHORIZED IN WRITING BY FLOWTECH, INC.



DWG. TITLE
UNIBLOC-PD PUMP
SHAFT SEAL PARTS LIST

BY
DATE
DRAWN
CHECKED
APP'D
SCALE
NONE

SIZE
300-575
DWG. NO.
G804

RELEASE DATE FEB. 23, 2011 SHEET 1 OF 1