

## #43 BUTTERFLY VALVE COMPONENTS: 1.0"-6.0"

ITEM	CLAMP BODY 1a	WELD BODY 1b	DISC 2	SEAL SEAT 3	BOLTS 4	HANDLE 5	HANDLE 6	HANDLE 7	SCREW 8	ACTUATOR 9	NUTS 10	BRACKET 11	COUPLING 12
1.0"	430036	430050	430029	430001	M8 x 30	430064	430068	430076	4356-2	104	M8	430020	SQ. ADPTR.
PCS.	2	2	1	1	4	1	1	1	1	1	6	1	1
1.5"	430037	430051	430030	430002	M8 x 30	430064	430068	430076	4356-2	104	M8	430021	SQ. ADPTR.
PCS.	2	2	1	1	4	1	1	1	1	1	6	1	1
2.0"	430038	430052	430031	430003	M8 x 30	430064	430068	430076	4347-2	104	M8	430022	SQ. ADPTR.
PCS.	2	2	1	1	4	1	1	1	1	1	6	1	1
2.5"	430039	430053	430032	430004	M8 x 30	430064	430068	430076	4357-2	104	M8	430023	SQ. ADPTR.
PCS.	2	2	1	1	4	1	1	1	1	1	6	1	1
3.0"	430040	430054	430033	430005	M8 x 35	430065	430069	430077	4347-2	104	M8	430024	SQ. ADPTR.
PCS.	2	2	1	1	6	1	1	1	1	1	8	1	1
4.0"	430041	430055	430034	430006	M8 x 35	430066	430070	430078	4347-2	104	M8	430025	N/A.
PCS.	2	2	1	1	6	1	1	1	1	1	8	1	0
6.0"	430042	430056	430035	430007	M10 x 50	430067	430071	430079	4348-2	129	M10	430026	N/A
PCS.	2	2	1	1	6	1	1	1	1	1	8	1	0

### NOTES:

1. SEAL MATERIALS ARE SPECIFIED AS FOLLOWS:

#-E (EPDM)    #-V (VITON)

#-S (SILICONE)

2. Item No. 1a and 1b comes in 304 SS or 316L SS

Item No. 2 in 316L SS

Item No. 4 in 304 SS

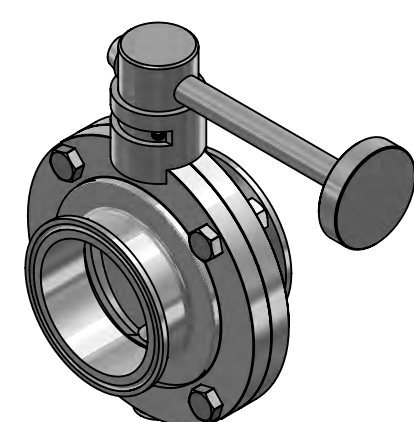
Item No. 5-7 in 304 SS

Item No. 8 in 18-8 SS

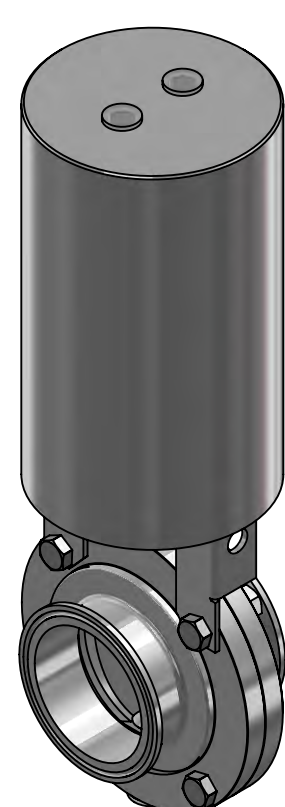
Item No. 9-10 in 304 SS

Item No. 11 in 316L SS

Item No. 12 in 304 SS



**VALVE WITH HANDLE**



**VALVE WITH ACTUATOR**

THIS DRAWING AND ALL IDEAS INCORPORATED IN ITS DESIGN IS THE EXCLUSIVE PROPERTY OF FLOWTECH, INC. ITS ACCEPTANCE CONSTITUTES AN AGREEMENT THAT IT SHALL BE TREATED AS A CONFIDENTIAL DOCUMENT USED FOR NO OTHER PURPOSE THAN TO AID IN ITS CONSTRUCTION, THAT IT IS TO BE RETURNED UPON REQUEST, AND THAT IT IS NOT TO BE DISCLOSED OR COPIED EXCEPT AS AUTHORIZED IN WRITING BY FLOWTECH, INC.

BY	DATE
JPZ	04/16/98
CHECKED	
APP'D	
SCALE	
ALL DIMENSIONS IN MM	

<b>UNIBLOC®-PUMP</b>		
DWG. TITLE <b>#43 BUTTERFLY VALVE COMPONENTS</b>		
SIZE <b>1.0" - 6.0"</b>	DWG. NO. <b>430994</b>	REV. NO. <b>3</b>
RELEASE DATE JUN. 8, 2016	SHEET 1 OF 2	