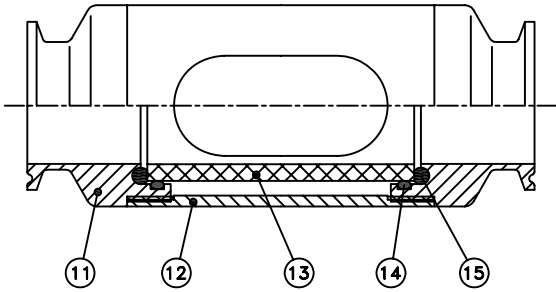
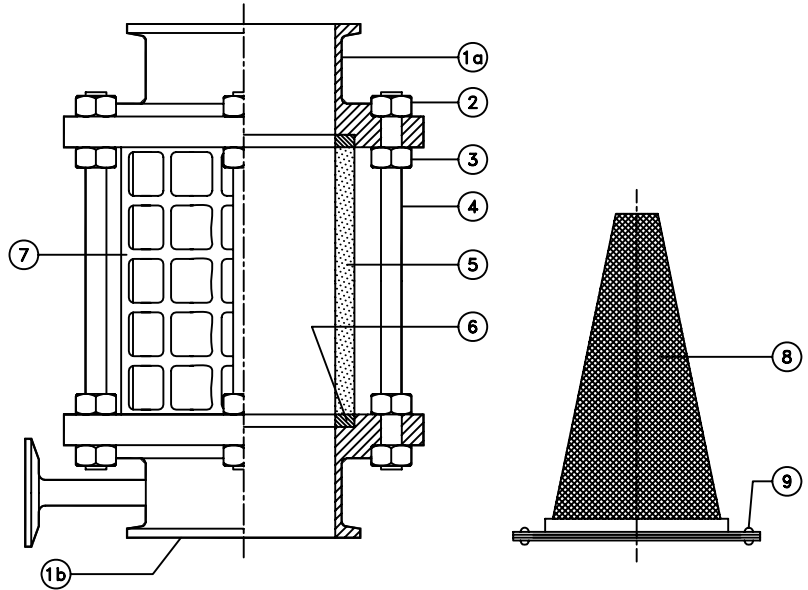


REVISIONS			
SYMBOL	DESCRIPTION	DATE	BY



CONN. SIZE	ITEM	FERRULE	GLASS PROTECTOR	TUBE	O-RING	O-RING
		11	12	13	14	15
		2	1	1	2	2
1/2"	P.N.	530001A	530025A	530059A-PY	4805	4272
3/4"	P.N.	530002A	530026A	530058A-PY	4151	4273
1"	P.N.	530003A	530027A	530057A-PY	4807	4251
1.5"	P.N.	530004A	530028A	530056A-PY	4810	4812
2"	P.N.	530005A	530029A	530055-PY	4811	4225



CONN. SIZE	ITEM	FERRULE	FERRULE	NUT (with insert)	NUT	STUD	GLASS	GASKET	SCREEN	CONE STRAINER	SPLIT GASKET	CLAMP
		1a	1b	2	3	4	5	6	7	8	9	10
2.5"	P.N.	530006	530013	4414-2	4413-2	530022	530054	530045	530030	N.A.	N.A.	N.A.
	PCS.	1	1	4	4	4	1	2	1	-	-	-
3"	P.N.	530007	530014	4414-2	4413-2	530022	530053	530046	530031	530037	6324	6318
	PCS.	1	1	6	6	6	1	2	1	1	1	1
4"	P.N.	530008	530015	4414-2	4413-2	530022	530052	530047	530032	530038	6323	6317
	PCS.	1	1	6	6	6	1	2	1	1	1	1
6"	P.N.	530009	530016	4424-2	4423-2	530023	530051	530048	530033	530039	6322	6316
	PCS.	1	1	6	6	6	1	2	1	1	1	1
8"	P.N.						P.O.A.					
	PCS.											

- SEAL MATERIALS ARE SPECIFIED AS FOLLOWS:
 #-E (EPDM) #-V (VITON)
 #-S (SILICONE) #-T (TEFLON ENCAPSULATED VITON)
- CONE STRAINER MESH SIZE SPECIFIED AS FOLLOWS:
 #-10M (10 MESH) #-30M (30 MESH)
 #-50M (50 MESH) #-100M (100 MESH)
- ITEM 10 (CLAMP FOR CONE STRAINER) NOT SHOWN.

THIS DRAWING AND ALL IDEAS INCORPORATED IN ITS DESIGN IS THE EXCLUSIVE PROPERTY OF FLOWTECH, Inc. ITS ACCEPTANCE CONSTITUTES AN AGREEMENT THAT IT SHALL BE TREATED AS A CONFIDENTIAL DOCUMENT USED FOR NO OTHER PURPOSE THAN TO AID IN ITS CONSTRUCTION, THAT IT IS TO BE RETURNED UPON REQUEST, AND THAT IT IS NOT TO BE DISCLOSED OR COPIED EXCEPT AS AUTHORIZED IN WRITING BY FLOWTECH, Inc.

UNIBLOC®-PUMP, INC.
 FLOWTECH DIV. USA

MATERIAL	BY	DATE
FINISH (UNLESS NOTED ON DWG.)	DRAWN	JPZ
WEIGHT	CHECKED	
	APP'D	
	SCALE	NO SCALE
	ALL DIMENSIONS IN MM	

DWG. TITLE	#53 SIGHTGLASS COMPONENTS
SIZE	
DWG. NO.	530980/A
RELEASE DATE:	AUG. 11, 2011 SHEET 1 OF 1