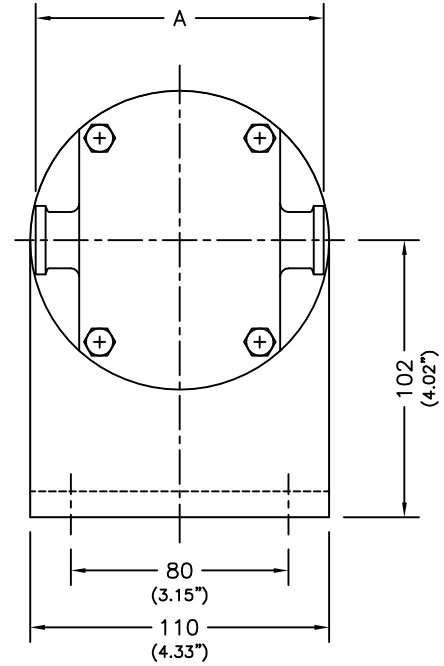
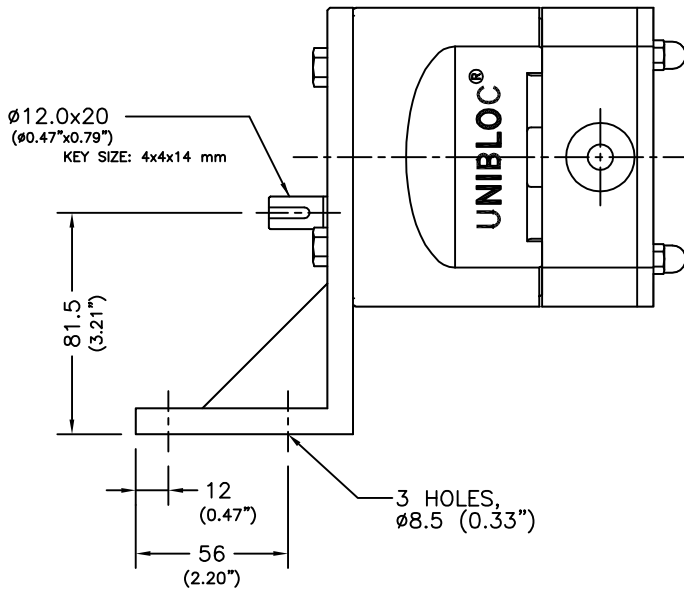
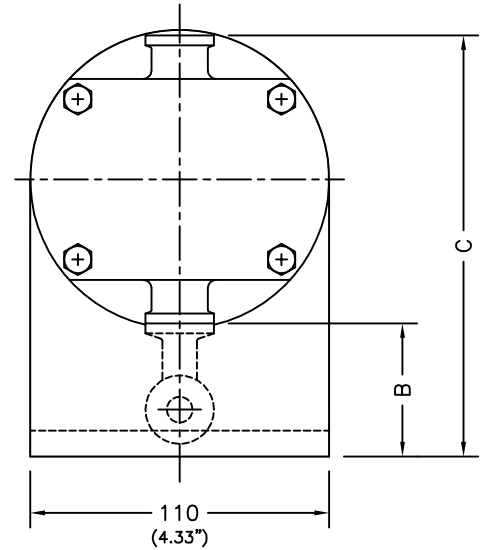
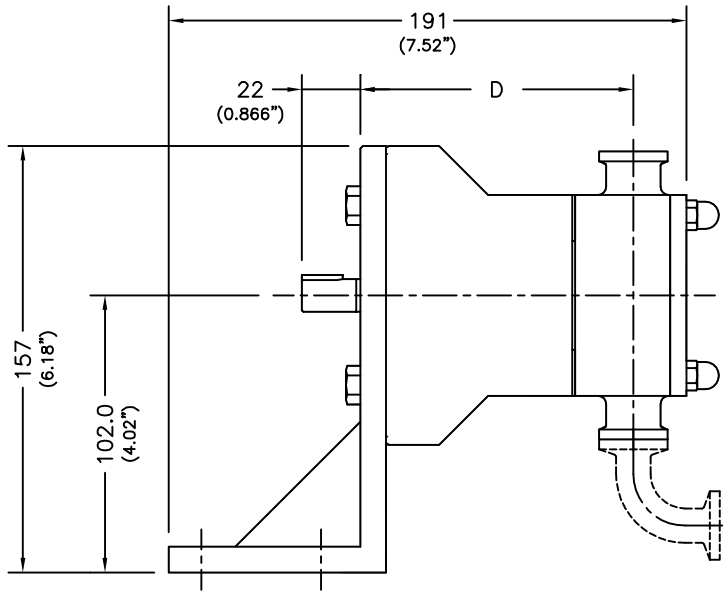


REVISIONS			
SYMBOL	DESCRIPTION	DATE	BY



**HORIZONTAL THROUGH-PUT**



**VERTICAL THROUGH-PUT**

PORT TYPE	PORT SIZE	A		B		C		D	
		mm	In.	mm	In.	mm	In.	mm	In.
SANITARY TRICLAMP	1/2"	106	4.17	49	1.93	155	6.10	101	3.98
SANITARY TRICLAMP	3/4" (OPTIONAL)	106	4.17	49	1.93	155	6.10	101	3.98
SANITARY ISO CLAMP	DN10	102	4.02	51	2.00	153	6.02	97	3.82

THIS DRAWING AND ALL IDEAS INCORPORATED IN ITS DESIGN IS THE EXCLUSIVE PROPERTY OF FLOWTECH, INC. ITS ACCEPTANCE CONSTITUTES AN AGREEMENT THAT IT SHALL BE TREATED AS A CONFIDENTIAL DOCUMENT USED FOR NO OTHER PURPOSE THAN TO AID IN ITS CONSTRUCTION, THAT IT IS TO BE RETURNED UPON REQUEST, AND THAT IT IS NOT TO BE DISCLOSED OR COPIED EXCEPT AS AUTHORIZED IN WRITING BY FLOWTECH, INC.



BY	DATE
CHECKED	
APP'D	
SCALE	
ALL DIMENSIONS IN MM	

DWG. TITLE	
GENERAL DIMENSIONS	
SIZE	DWG. NO.
200	D201
RELEASE DATE	SHEET 1 OF 1