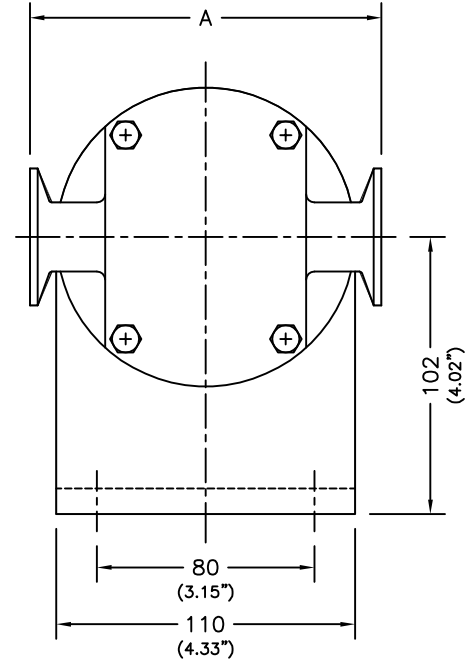
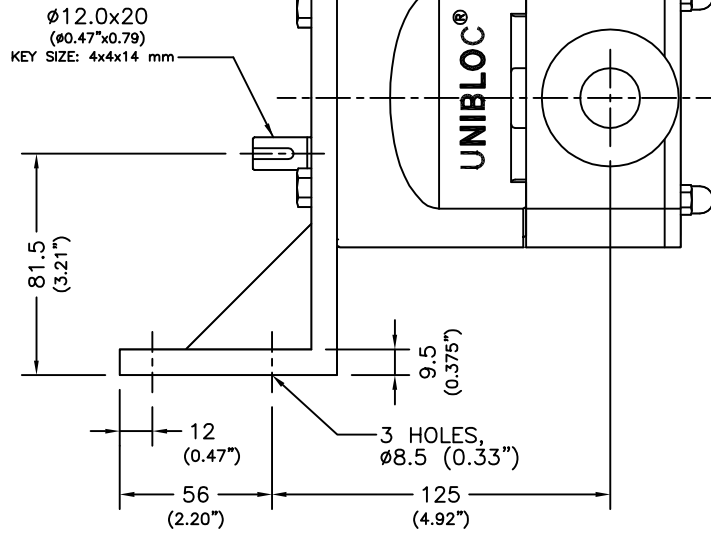
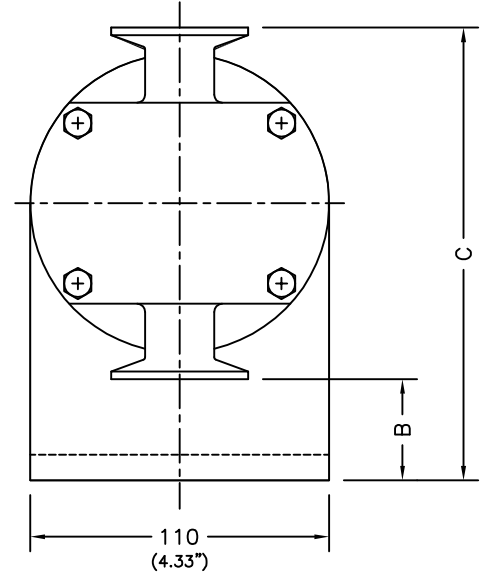
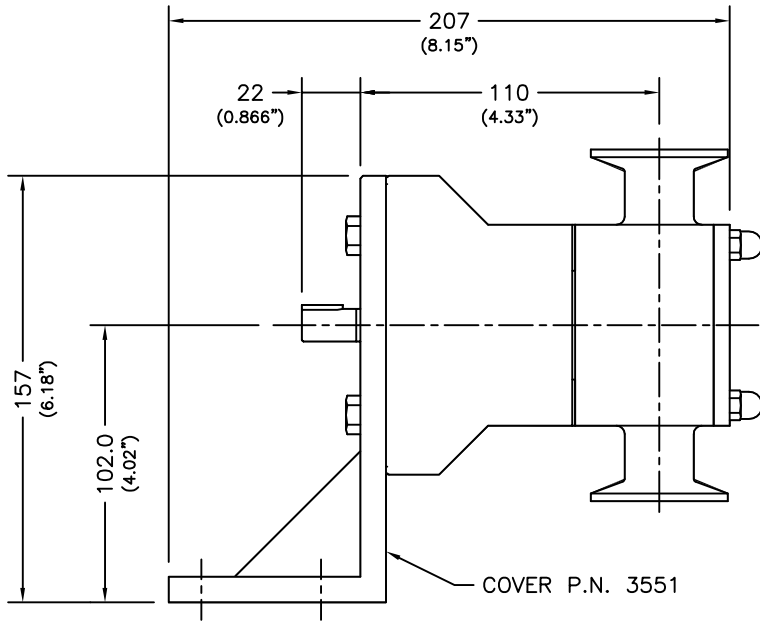


REGISTERED DESIGN. PATENTS PENDING.

REVISIONS			
SYMBOL	DESCRIPTION	DATE	BY



HORIZONTAL THROUGH-PUT



VERTICAL THROUGH-PUT

PORT TYPE	PORT SIZE	A		B		C	
		mm	In.	mm	In.	mm	In.
SANITARY TRICLAMP	1"	130	5.12	37	1.46	167	6.57
SANITARY ISO CLAMP	DN20	130	5.12	37	1.46	167	6.57

THIS DRAWING AND ALL IDEAS INCORPORATED IN ITS DESIGN IS THE EXCLUSIVE PROPERTY OF FLOWTECH, INC. ITS ACCEPTANCE CONSTITUTES AN AGREEMENT THAT IT SHALL BE TREATED AS A CONFIDENTIAL DOCUMENT USED FOR NO OTHER PURPOSE THAN TO AID IN ITS CONSTRUCTION, THAT IT IS TO BE RETURNED UPON REQUEST, AND THAT IT IS NOT TO BE DISCLOSED OR COPIED EXCEPT AS AUTHORIZED IN WRITING BY FLOWTECH, INC.

UNIBLOC®-PUMP, INC.

FLOWTECH Div. USA

DWG. TITLE
GENERAL DIMENSIONS

DRAWN	BY	DATE
CHECKED		
APP'D		
SCALE		

SIZE
275

DWG. NO.
D262

ALL DIMENSIONS IN MM RELEASE DATE SHEET 1 OF 1