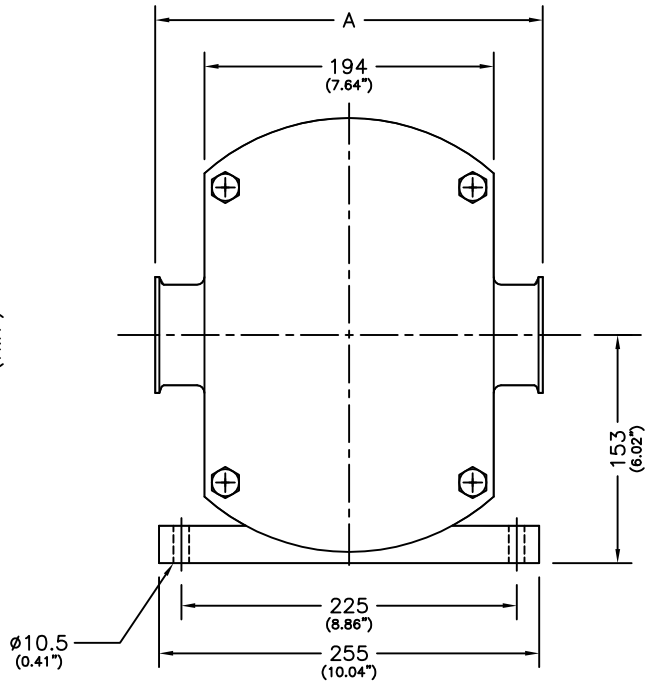
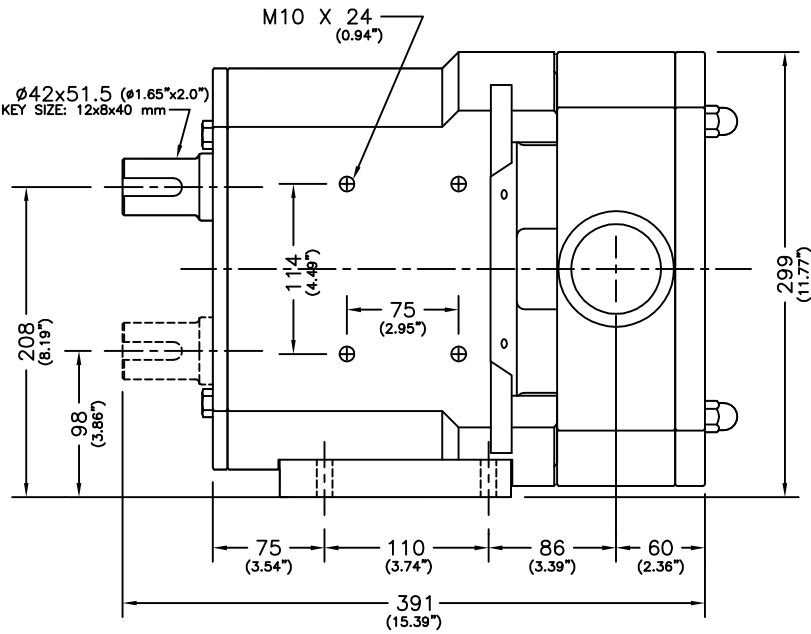
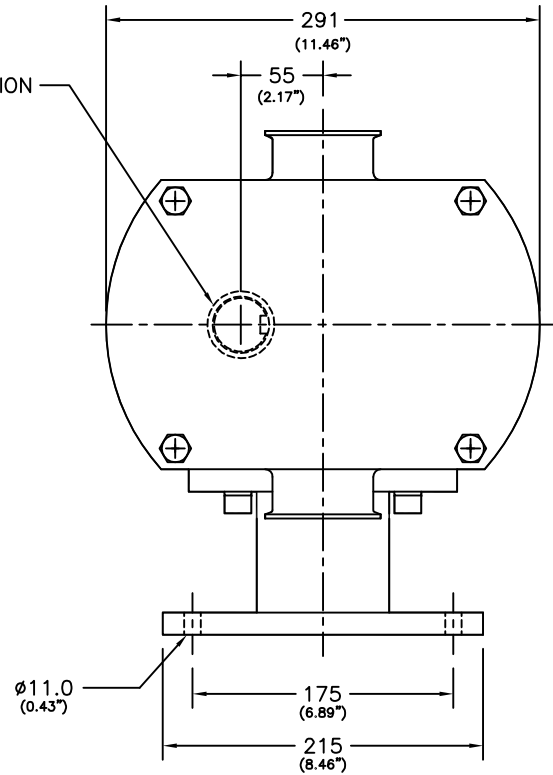
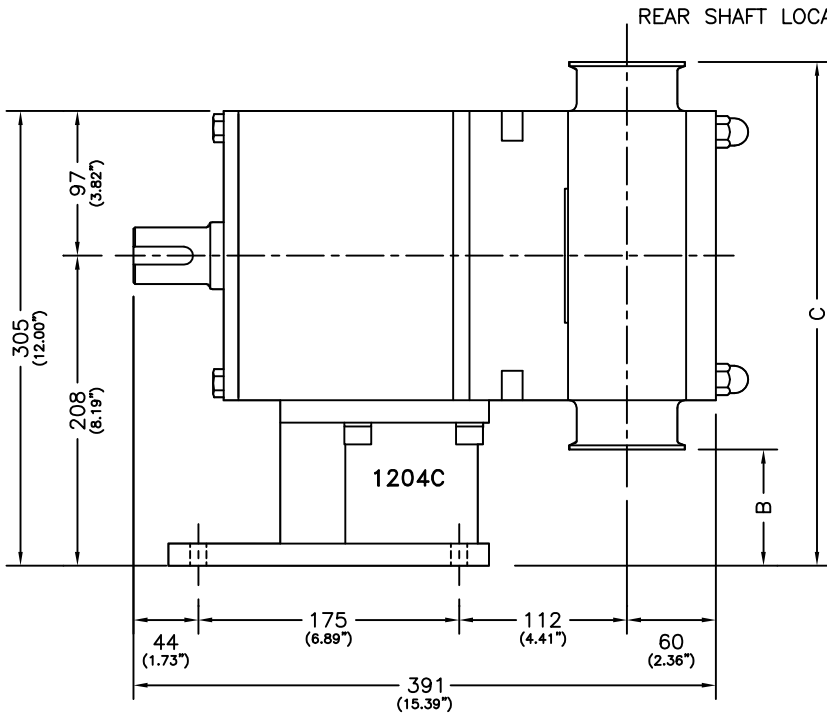


REVISIONS		DATE	BY
REVISION	DESCRIPTION		



HORIZONTAL THROUGH-PUT




VERTICAL THROUGH-PUT

PORT TYPE	PORT SIZE	A		B		C	
		mm	in.	mm	in.	mm	in.
SANITARY TRICLAMP	2.5"	260	10.2	78	3.07	338	13.3
DIN 11851	DN 65	260	10.2	78	3.07	338	13.3
IDF	2.5"	260	10.2	78	3.07	338	13.3
SMS 681	NW 63.6	260	10.2	78	3.07	338	13.3
RJT	2.5"	260	10.2	78	3.07	338	13.3

THIS DRAWING AND ALL IDEAS INCORPORATED IN ITS DESIGN IS THE EXCLUSIVE PROPERTY OF FLOWTECH, INC. ITS ACCEPTANCE CONSTITUTES AN AGREEMENT THAT IT SHALL BE TREATED AS A CONFIDENTIAL DOCUMENT USED FOR NO OTHER PURPOSE THAN TO AID IN ITS CONSTRUCTION, THAT IT IS TO BE RETURNED UPON REQUEST, AND THAT IT IS NOT TO BE DISCLOSED OR COPIED EXCEPT AS AUTHORIZED IN WRITING BY FLOWTECH, INC.

DRAWN	BY	DATE
CHECKED		
APP'D		
SCALE		

ALL DIMENSIONS IN MM



UNIBLOC-PUMP, INC.
FLOWTECH DIV. USA

DWG. TITLE		DWG. NO.
GENERAL DIMENSIONS		
SIZE	500	D500-02
RELEASE DATE		SHEET 1 OF 1