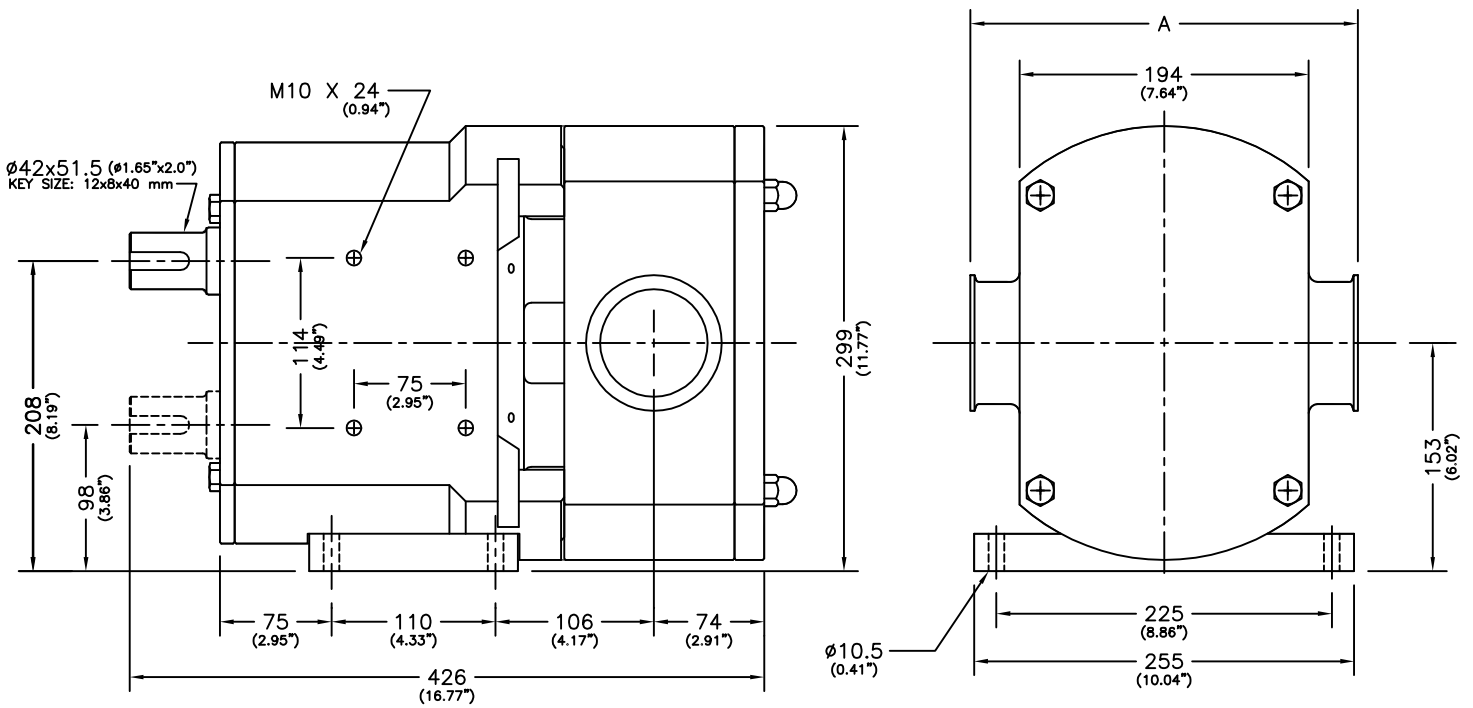
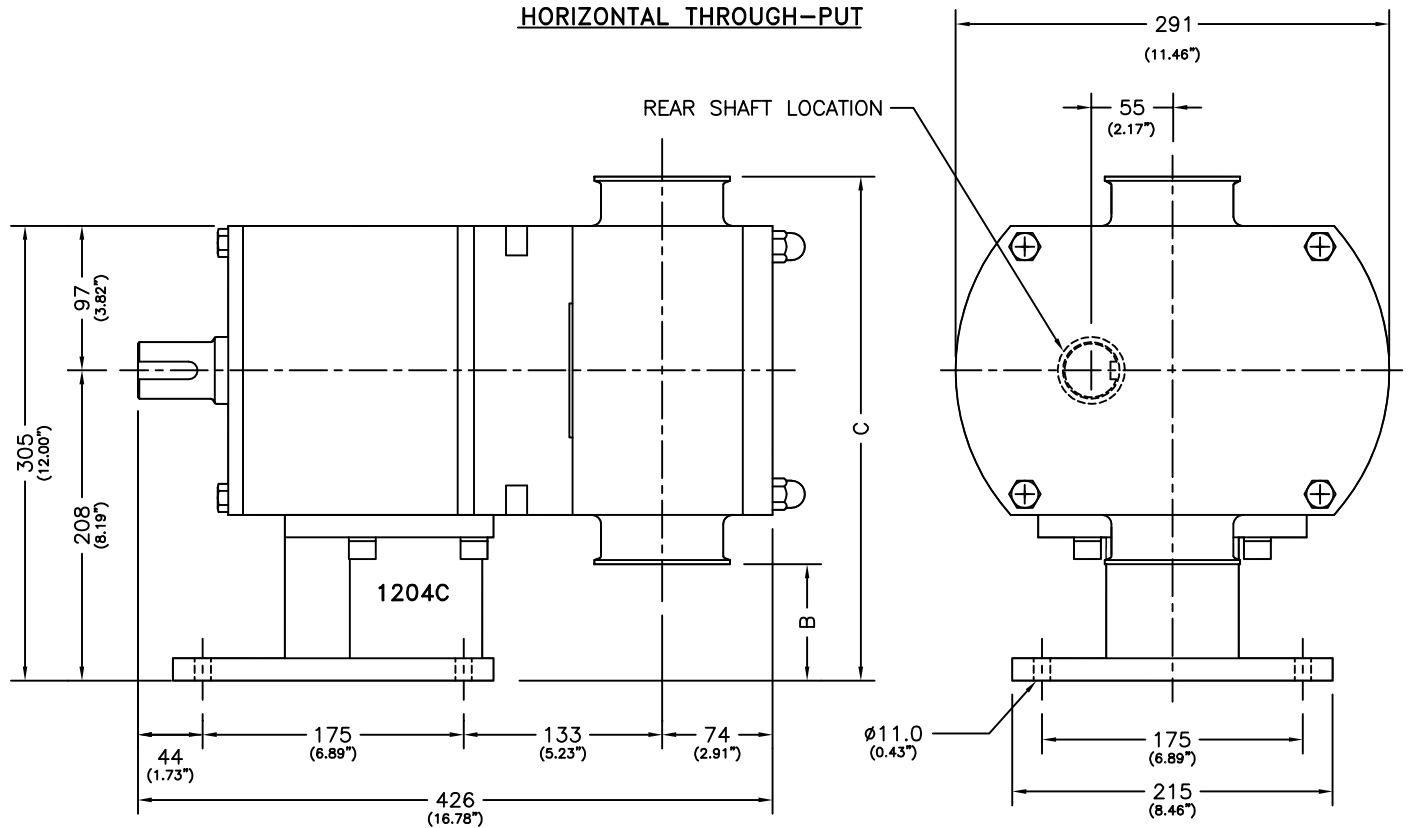



REVISIONS			DATE	BY
SYMBOL	DESCRIPTION			



HORIZONTAL THROUGH-PUT



VERTICAL THROUGH-PUT

PORT TYPE	PORT SIZE	A		B		C		<small>THIS DRAWING AND ALL IDEAS INCORPORATED IN ITS DESIGN IS THE EXCLUSIVE PROPERTY OF FLOWTECH, INC. ITS ACCEPTANCE CONSTITUTES AN AGREEMENT THAT IT SHALL BE TREATED AS A CONFIDENTIAL DOCUMENT USED FOR NO OTHER PURPOSE THAN TO GO IN ITS CONSTRUCTION, THAT IT IS TO BE RETURNED UPON REQUEST, AND THAT IT IS NOT TO BE DISCLOSED OR COPIED EXCEPT AS AUTHORIZED IN WRITING BY FLOWTECH, INC.</small>	 FLOWTECH div. USA		
		mm	in.	mm	in.	mm	in.		DWG. TITLE	DWG. NO.	
SANITARY TRICLAMP	3"	260	10.2	78	3.07	338	13.3	BY	DATE	GENERAL DIMENSIONS	
DIN 11851	DN 80	260	10.2	78	3.07	338	13.3	CHECKED			
IDF	3"	260	10.2	78	3.07	338	13.3	APP'D		SIZE 575	DWG. NO. D560-62
SMS 681	NW 76	260	10.2	78	3.07	338	13.3	SCALE		RELEASE DATE	SHEET 1 OF 1
RJT	3"	260	10.2	78	3.07	338	13.3	ALL DIMENSIONS IN MM			