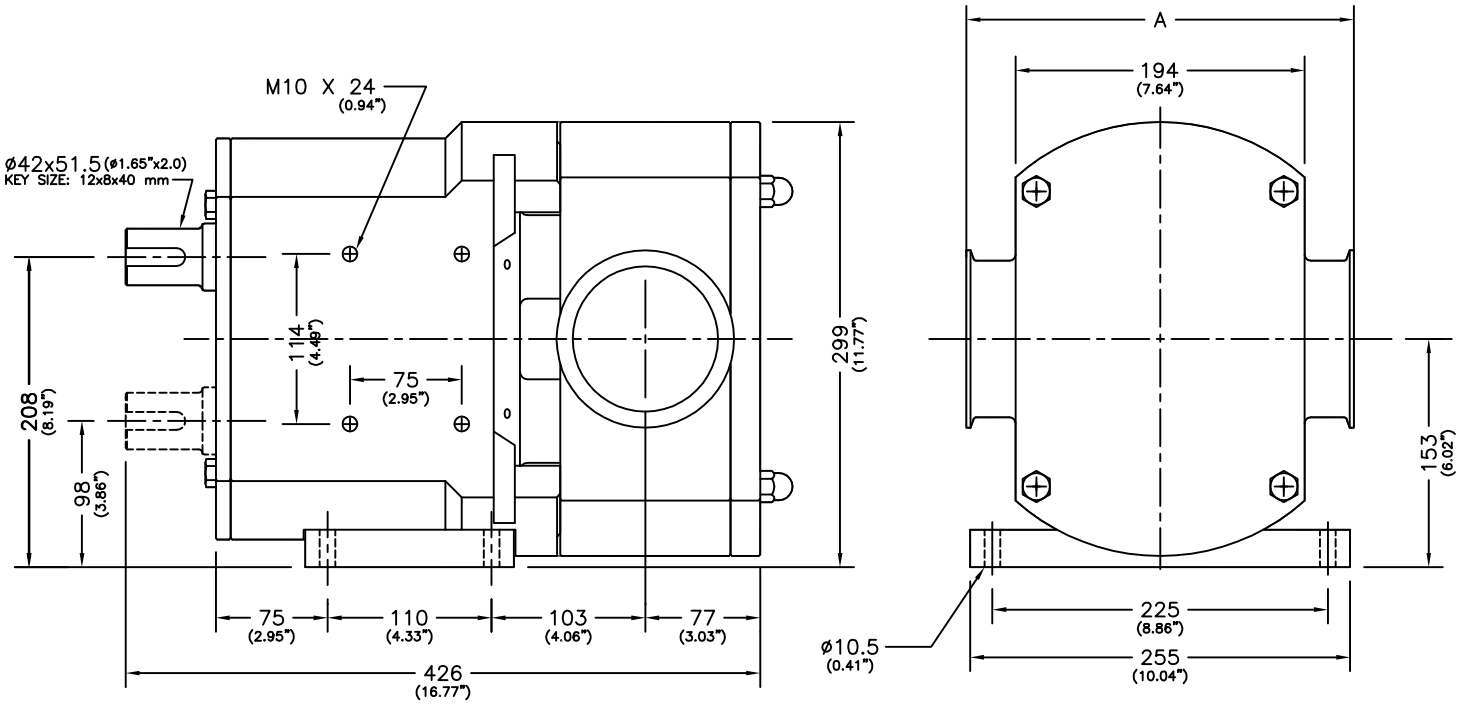
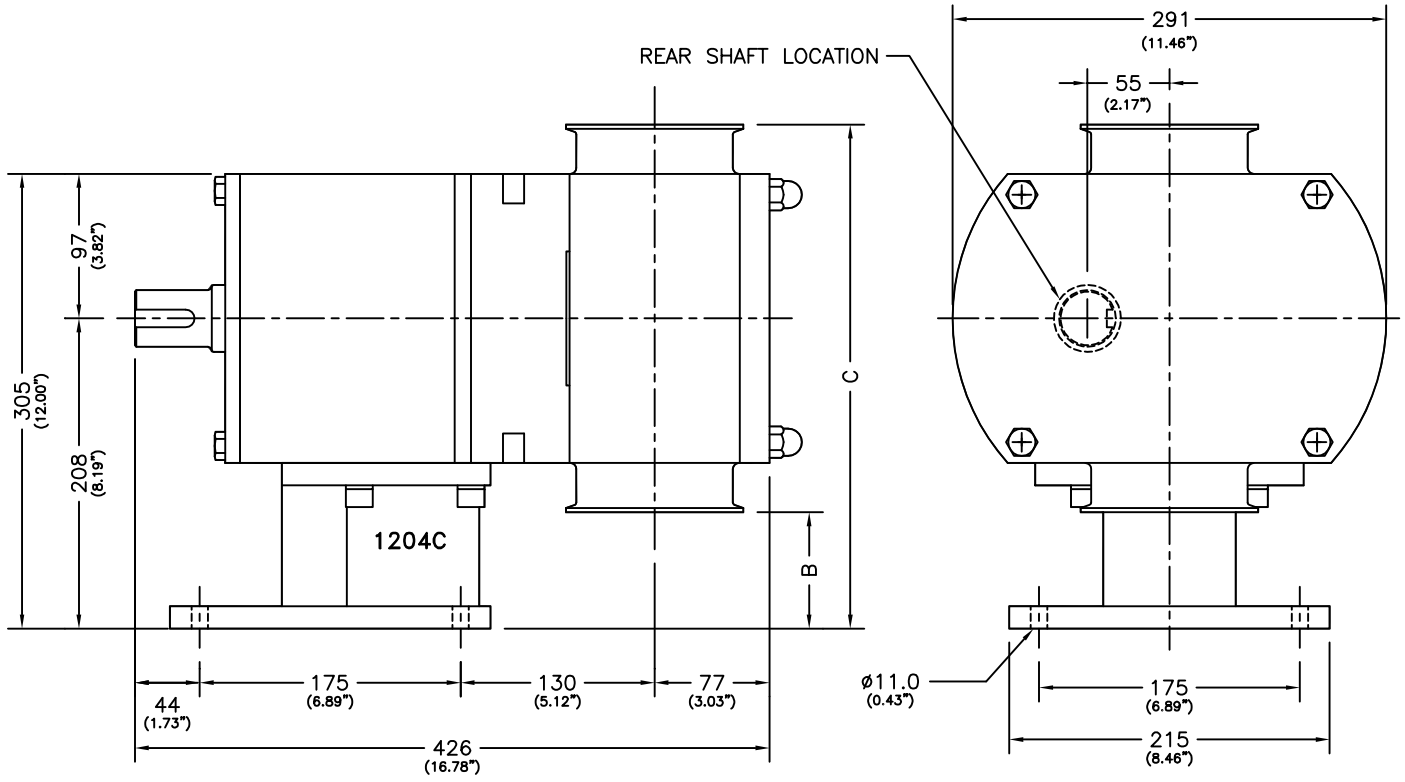


REVISIONS			
SYMBOL	DESCRIPTION	DATE	BY



HORIZONTAL THROUGH-PUT



VERTICAL THROUGH-PUT

PORT TYPE	PORT SIZE	A		B		C	
		mm	in.	mm	in.	mm	in.
SANITARY TRICLAMP	4"	260	10.2	78	3.07	338	13.3
DIN 11851	DN 100	260	10.2	78	3.07	338	13.3
IDF	4"	260	10.2	78	3.07	338	13.3
SMS 681	NW 101.6	260	10.2	78	3.07	338	13.3
RJT	4"	260	10.2	78	3.07	338	13.3

THIS DRAWING AND ALL IDEAS INCORPORATED IN ITS DESIGN IS THE EXCLUSIVE PROPERTY OF FLOWTECH, INC. ITS ACCEPTANCE CONSTITUTES AN AGREEMENT THAT IT SHALL BE TREATED AS A CONFIDENTIAL DOCUMENT USED FOR NO OTHER PURPOSE THAN TO AID IN ITS CONSTRUCTION, THAT IT IS TO BE RETURNED UPON REQUEST, AND THAT IT IS NOT TO BE DISCLOSED OR COPIED EXCEPT AS AUTHORIZED IN WRITING BY FLOWTECH, INC.

DRAWN _____ BY _____ DATE _____
 CHECKED _____
 APP'D _____
 SCALE _____

ALL DIMENSIONS IN MM

UNIBLOC®-PUMP, INC.
 FLOWTECH div. USA

DWG. TITLE
GENERAL DIMENSIONS

SIZE
575

DWG. NO.
D561-63

RELEASE DATE _____ SHEET 1 OF 1