

TRANSPORT PUMPS

Food and Chemical Pumps
for the **Tanker Industry**

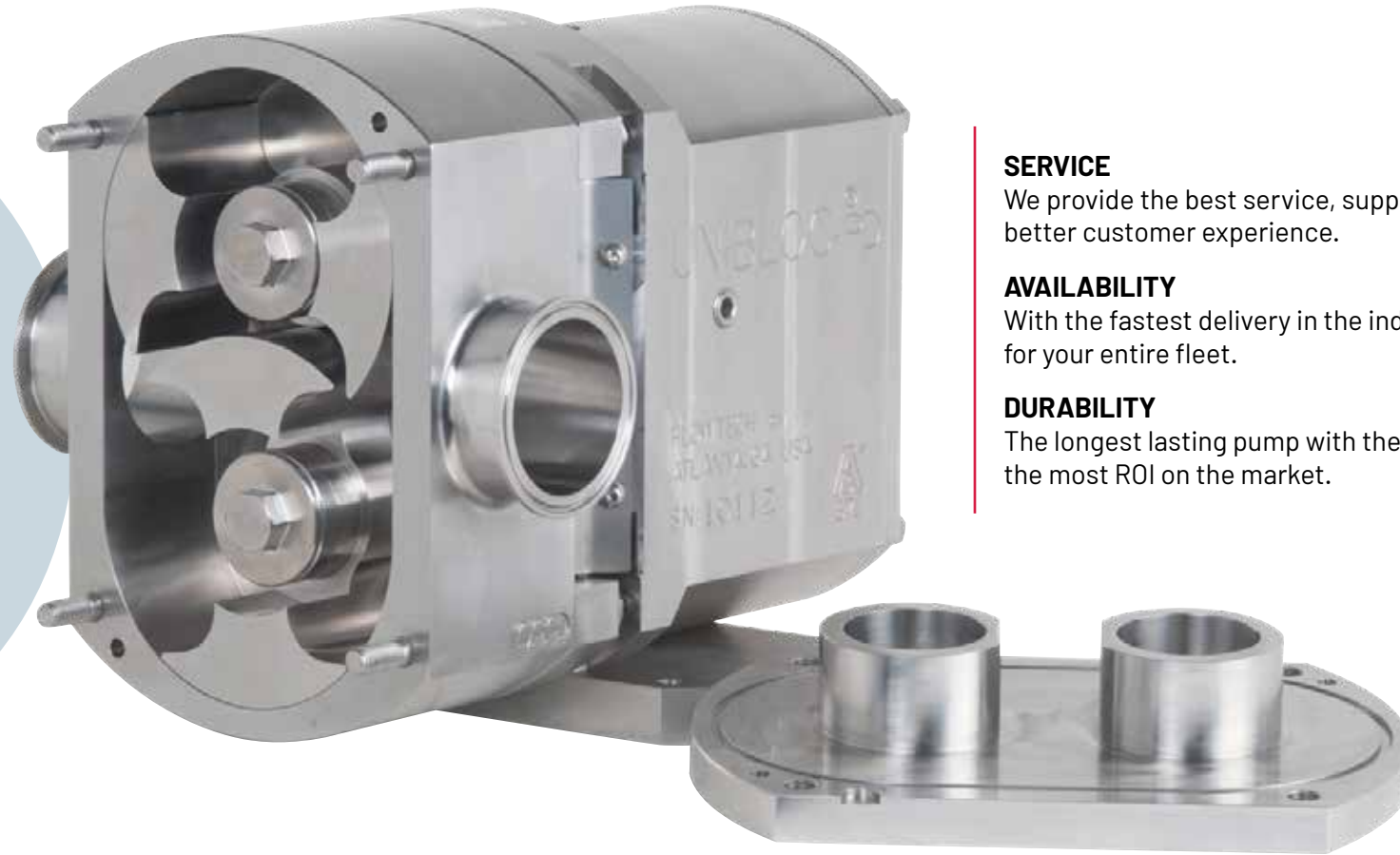


RELIABILITY FOR THE LONG HAUL

Tank Transport professionals count on Unibloc Pump to provide rugged and reliable chemical and food-grade pumps. For over 35 years, Unibloc has refined our Road Tanker pumps to deliver dependability and longevity expected by trusted fleets.

FEATURES AND BENEFITS

- 3A sanitary design
- Longest lasting, most dependable seals
- Xtreme shaft sleeves for durability and reduced maintenance
- Durable dual coated gearbox
- Hydraulic drive mount
- Jacketed pump head (optional)
- Integrated Pressure Relief Valve
- ATEX certified design



READY, WILLING
AND, ABLE

SERVICE

We provide the best service, support and pump training to create a better customer experience.

AVAILABILITY

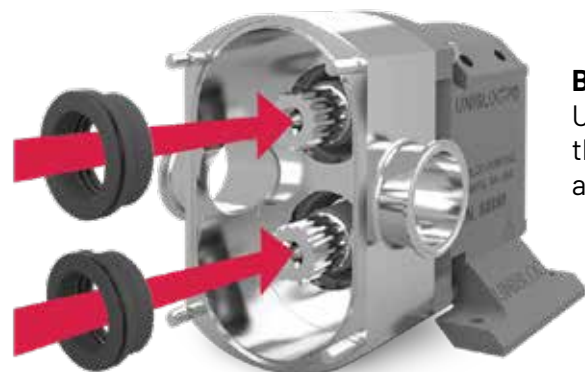
With the fastest delivery in the industry, Unibloc is ready to provide for your entire fleet.

DURABILITY

The longest lasting pump with the most reliable seals producing the most ROI on the market.

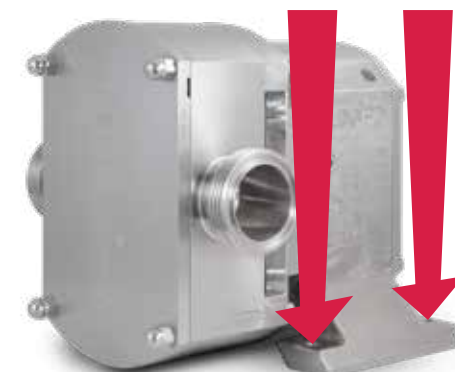
BETTER SEALS

Unibloc shaft seals are the longest lasting and most versatile in the industry. Front loaded seals mean quick and easy maintenance and accessibility.



CONVENIENT

Our Drop-In Fit for replacing other pump brands makes switching to Unibloc Road Tanker pumps easier than ever.



SPECIFICATIONS

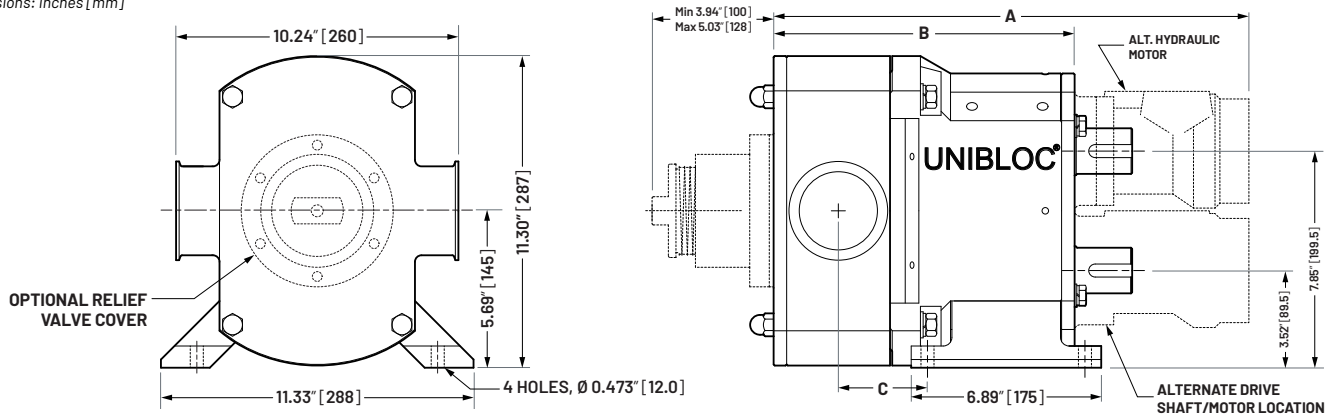
<i>Optional sizes available</i>	Food Grade Pumps		Chemical Pumps	
Pump Size	551	576: 3" or 4"	501 CHEM	551 CHEM
Max Cap. GPM [LPM]	228 [863]	253 [958]	198 [750]	252 [954]
Max Pres. PSIG [Bar]	250 [17]	200 [13]	250 [17]	250 [17]
Max Speed RPM	800	800	900	900
Weight lbs [kg]	115 [52]	126 [57]	104 [47]	115 [52]
Connections	TRI-CLAMP, ACME, DIN, SMS		NPT, BSP, FLANGES, DIN, CAM LOCK	

DIMENSIONS

<i>Dimensions: inches [mm]</i>	Food Grade Pumps		Chemical Pumps	
Pump Size	551	576: 3" or 4"	501 CHEM	551 CHEM
Port Size	3.0"	3.0" or 4.0"	2.5"	3.0"
A-PTO	13.0" [330]	13.7" [349]	12.4" [314]	13.0" [330]
A-Charlynn	19.1" [486]	19.9" [505]	18.5" [470]	19.1" [486]
A-Danfoss	17.4" [441]	18.1" [460]	16.7" [425]	17.4" [441]
B	10.9" [277]	11.7" [296]	10.3" [261]	10.9" [277]
C	03.2" [82]	03.6" [92]	02.9" [74]	03.2" [82]

Pump Shown in Horizontal Position

Dimensions: inches [mm]

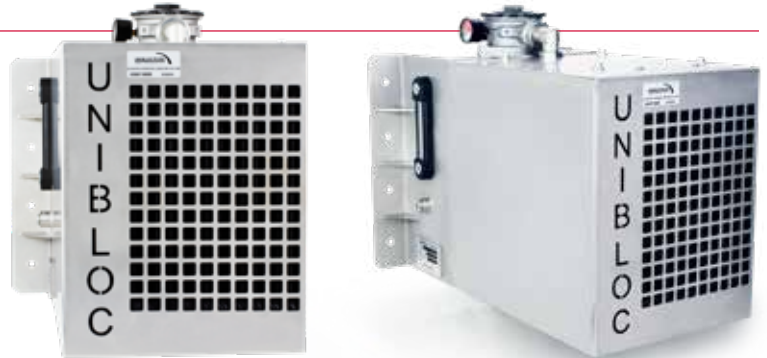


Competitor "Drop-In" Available. Contact Unibloc.

We Also Now Offer an All Stainless Steel Oil Cooler

FEATURES AND BENEFITS INCLUDE:

- Stainless Steel
- Heat dissipation up to 13 kW (17.5 HP)
- Capable of system pressure of 315 Bar [4570 psi]



UNIBLOC

PUMP

READY, WILLING AND ABLE

Unibloc-Pump, LLC

1650 Airport Road, Suite 110 • Kennesaw, GA 30144
sales@uniblocpump.com • 770-218-8900